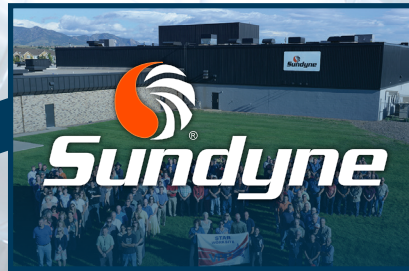


Sundyne Gearbox Exchange Program

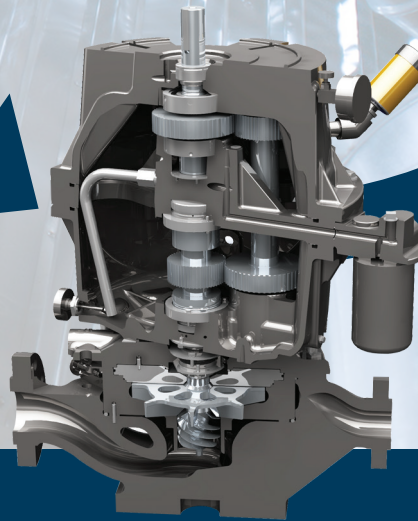


New
Gearbox



Gearbox Exchange Program

Old
Gearbox



- Up to 30% Exchange Credit!
- Applies to All Sundyne Gearboxes
- Shorter Lead Time = Greater Uptime
- More Efficient Maintenance planning
- Reduce Maintenance Downtime
- Maximize Reliability with Re-Rate
- Minimal Reactive Repair Actions
- Extended Warranty – Additional 6 Months – 18 / 24 Months

A Smarter Application of Maintenance Resources

Exchange your gearbox for a factory built replacement with the latest design improvements and an extended warranty.

Who Should Consider a Gearbox Exchange?

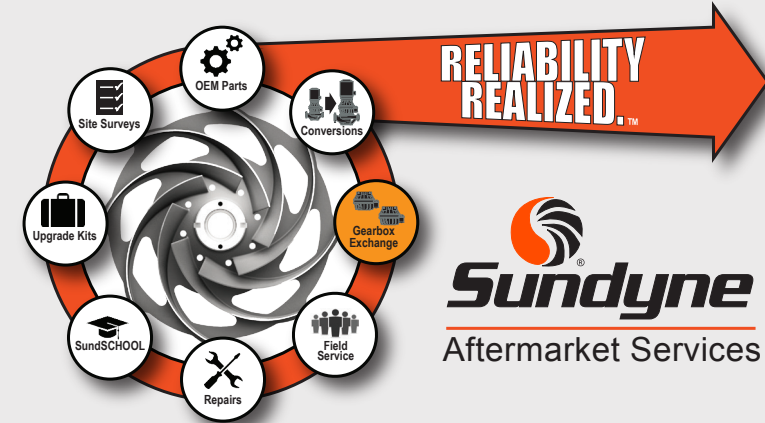
- Any Sundyne unit scheduled for overhaul
- Facilities with limited or newly developing maintenance staff
- Facilities looking to dramatically reduce maintenance inventory and planning
- Any gearbox repairs beyond a simple seal change
- Gearboxes older than 10 years
- Gearboxes with Mean Time Between Repair less than desired

- Sundyne's "Reliability Realized" program focuses on continually improving our existing designs to increase reliability.
- Sundyne's Gearbox Exchange Program provides greater financial incentives (up to 30% exchange credit) for returning an old gearbox regardless of condition.
- Exchange gearboxes feature a wide range of design improvements, and come with 18 month warranties from start up, or 24 months from shipment.



Exchange and Save!

The Gearbox Exchange Program can be applied to any Sundyne LMV, LMC, BMP or BMC gearbox. Once your request is received, Sundyne will ship the gearbox while the old unit is returned for credit.



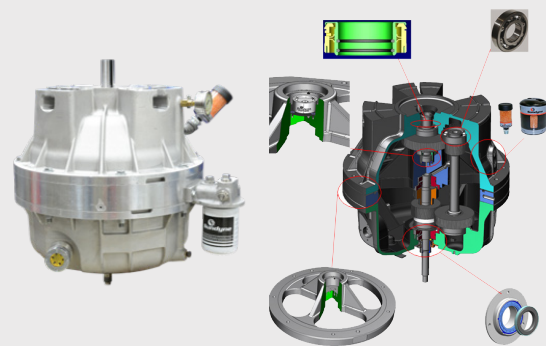
The Benefits of the Gearbox Exchange Include:

- Reduce Inventory Requirements
- Better Use of Maintenance Resources
- Fast & Easy, Bolt on Upgrade
- Optimize Performance with Re-Rate
- Convenient, Streamlined Maintenance Option
- Extended Warranty
- Maximize Mean Time Between Repair: Includes all the latest gearbox technology
- Reliability Guaranteed Using Advanced Inspection Technology (Coordinate Measuring Machine)

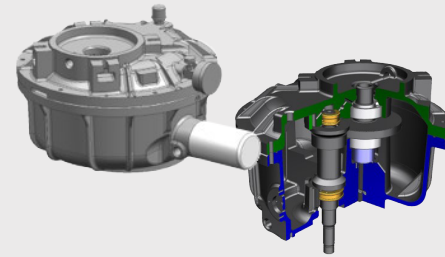
Sundyne's Legacy, Innovation and Commitment to Continuous Improvement of Gearbox Reliability and Performance

As reliability and maintenance teams push for higher standards and longer mean time between repair (MTBR), Sundyne continually develops upgrades for existing gearboxes to support these efforts. By utilizing the Gearbox Exchange program, customers can receive all of the latest improvements in an easily interchangeable, bolt-on package that can be delivered to your site immediately. Conversions such as a 31X to a 33XN or a 33X to a 34X have proven to extend mean time before repair (MTBR), thus reducing the total life cycle cost.

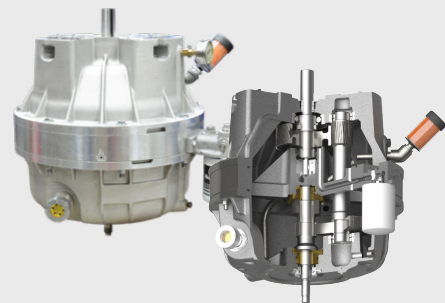
Sundyne Gearboxes



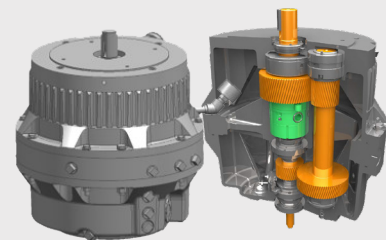
31X
200 HP



32X
50 HP



33X / N
250 / 275 HP



34X
400 HP
(Optional 550 HP Upgrade for 343/347 Compressor)

A Legacy of Expertise and Innovation:

Gearbox Output SundSeal

- Reduced Leakage
- Lower Contact Face Temperature
- Reverse Pressure Capability
- Designed for Sundyne Gearboxes



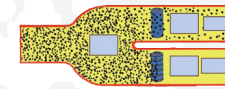
Desiccant Breather

- Protects against corrosion and contamination
- Keeps internals protected from moisture and particulates.
- Extends maintenance intervals in humid climates
- Durable outer casing and robust connection point



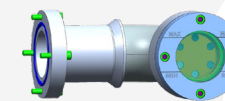
Sundyne SundGARD Oil Filter

- "Helical-wrap" pleat support system and composite element structure
- Unique filter design captures contaminants effectively
- Bearing service life is extended by as much as six times – providing significant maintenance cost savings and greater system uptime



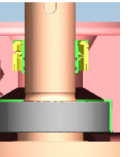
Sundyne 90-Degree Low Foam Sight Glass

- For All Sundyne gear driven machines
- Quick retrofit capability
- 90-degree adapter allowing easy reorientation
- Provides additional viewing options



Sundyne Input Gearbox Seal

- Proprietary bearing isolator technology
- Prevents entry of harmful outside contaminants
- Direct interchangeability / Ease of field installation



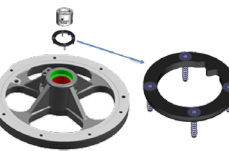
Sundyne's Proprietary Anti-Friction Bearing

- API-610 L10 bearing life – 25,000 hours
- Significant bearing life increases reliability
- Increased efficiency and shaft longevity
- Direct interchangeability
- Compatible with all Sundyne units except LMV-34X



31X Anti-Rotation Plate and Lube Pump

- Increased operational reliability
- Increased product robustness
- Eliminates the spiral pin
- Superior lube pump anti-rotation design



Housing Upgrade

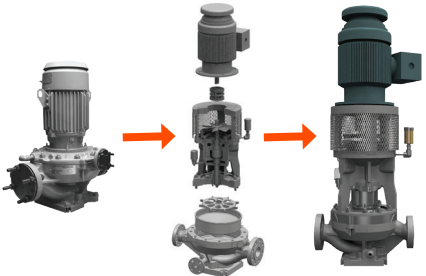
- Cast-in bearing liners – stronger, more robust design improves housing and maintains internal part alignment
- New sophisticated tooling for permanent mold castings
- Better surface finish
- Dimensionally interchangeable with older designs



24x7, Global Aftermarket Services to Keep Equipment Repaired, Re-Rated & Re-Configured

Sundyne's uncompromising reliability is not just a function of superior design. It's also delivered by high-touch services at commissioning, through planned turnarounds, and at every step of the way to ensure reliable day-to-day operation for years. With manufacturing operations and Authorized Service Centers (ASC) around the globe, Sundyne provides prompt & local support to keep customers up-and-running.

Conversions



- **801 to 801 CS/S (Cartridge Seal/Sealless):** Convert to sealless or upgrade to API 682 cartridge seal.
- **HMP3/5 Upgrade:** Increased reliability using the latest engineered components
- **Gearbox Upgrades**
- **OH2 Drop In Replacements:** API 610 and 682 options. No shutdown / No Piping Changes!
- **OH2 ReFIT Kit:** Upgrade outdated OH2 to 12th Edition API 610 by reusing existing impeller/casings
- **ReRate Conversions**

OEM Parts

- Insure High Quality Standards
- Warranty Protection
- Sundyne Tolerances
- Critical Spares: For quick repairs

Site Surveys

- Free Site Audits by Sundyne engineers at no charge!
- Verify that equipment is running at B.E.P.
- Perform Equipment Health Checks
- Upgrade Options
- Optimize Stock Holding




Upgrade Kits

- **Reliability Assurance Kits:** For simple overhaul/repairs.
- **Reliability Upgrade Kits:** Upgrade your Gearbox to the latest design.
- **Wet End Kits**
- **Critical Spares Kits:** Class I, II, & III

SundSCHOOL

- Maintenance & Operations Arvada, CO USA Factory
- Maintenance & Operations Dijon, France Factory
- On-Site Maintenance & Operations School

Gearbox Exchange



- Up to 30% Exchange Credit!
- Convenient Streamlined Maintenance Planning
- Shorter Lead Time = Greater Uptime
- New gearboxes include all the latest design improvements
- Re-Rate for Better Reliability: During the exchange, Sundyne Engineers can re-rate and establish a new B.E.P.

Repairs

- Global 24x7 Coverage, Local Support
- Factory Overhaul & Repair: Arvada, Dijon, Spain and Eastbourne
- Sundyne Expert Repair Specialists
- Authorized Service Centers
- Optional Factory Performance Testing with Extended Run Test, NPSH Test.

Field Service

- Troubleshooting
- Service Agreements
- Start Up Assistance with new and repaired units
- 24x7 Global Support
- In field repairs when possible
- Maximize Up Time



Backed By Global Support

Sundyne is more than just a manufacturer of high quality pumps, compressors and genuine aftermarket parts. Sundyne's highly-engineered solutions are backed with a full range of global aftermarket services that extend the value of Sundyne equipment far beyond the point of sale. The Sundyne service team is here to provide a trouble-free customer experience at every turn. That's **RELIABILITY REALIZED.**

Sundyne's Aftermarket Programs Include:

- 24 X 7 Global Support
- Gearbox Exchanges & Upgrades
- Maintenance Kits
- Conversion Programs
- On-Site SundSCHOOL
- Field Service Support
- Overhaul and Repair Services
- Site Surveys
- Emergency Expedite Services

Benefits of Using Genuine Sundyne Parts	Sundyne Genuine Parts	3rd Party Parts
Latest Engineered Parts & Upgrades for Maximum Reliability	✓	✗
Advanced Manufacturing Processes, Tolerances with Certified Materials	✓	✗
Parts Made to OEM Specs which Equal or Exceed Industry Standards	✓	✗
Direct Manufacturer's Service Support	✓	✗
Retain Existing Sundyne Warranty	✓	✗

Sundyne: An OSHA VPP Star Site

Environmental Health and Safety (EH&S) is integral to Sundyne's culture. Providing a 100% safe work environment through the manufacturing and installation phases of a project is a core priority. To learn more about Sundyne's extended service offerings, visit www.sundyne.com or contact us toll free at 1-866-SUNDYNE.



For more information please visit www.sundyne.com and fill out the Contact Me form. A Sundyne representative will contact you.



Sundyne Headquarters:

Sundyne, LLC
14845 West 64th Avenue
Arvada, Colorado 80007 USA
Toll Free: 1-866-Sundyne
Phone: +1-303-425-0800

Sundyne France:

Sundyne International S.A.
13-15, Bld. Eiffel - B.P. 30
21604 Longvic Cedex France
Phone: +33 (0)3 80 38 33 00
Fax: +33 (0)3 80 38 33 66

Sundyne Asia Japan Co., Ltd.

Odakyu Dai-Ichi Seimei Bldg. 6F
2-7-1, Nishi-Shinjuku Shinjuku-Ku
Tokyo, 163-0706 Japan
Phone: +81-3-3344-0911

Sundyne India

4 + 5, L-Square
Near Parihar Chowk
Pune, 411 007 India
Phone: +91 99870 76165