

Sundyne LMV 803Lr API 610 OH3

NPSHr Less Than 10 FT at 800 GPM

API 682
Cartridge Seal

Seal Housing

Ultra Low
NSPHr Impeller
& Inducer

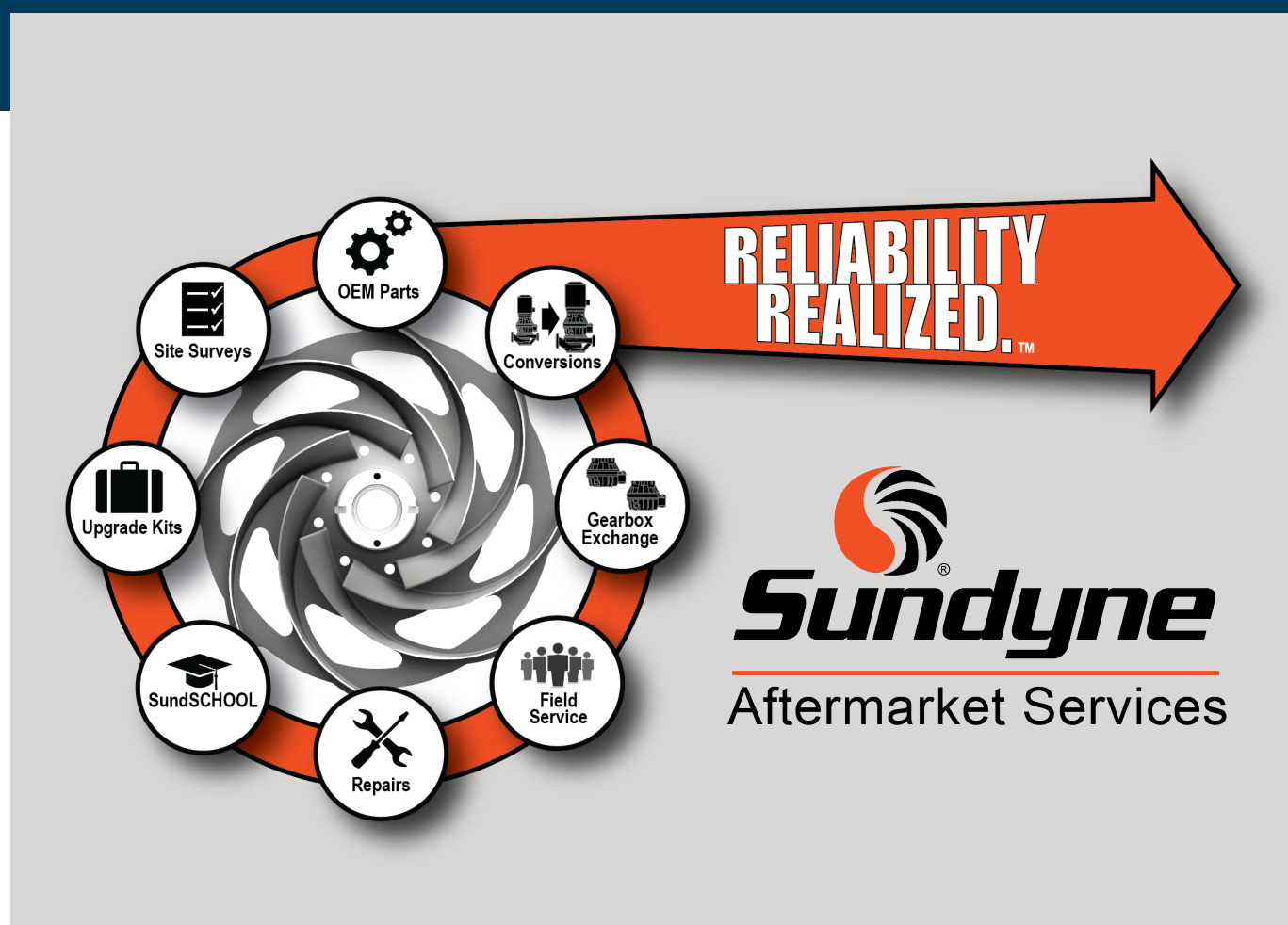
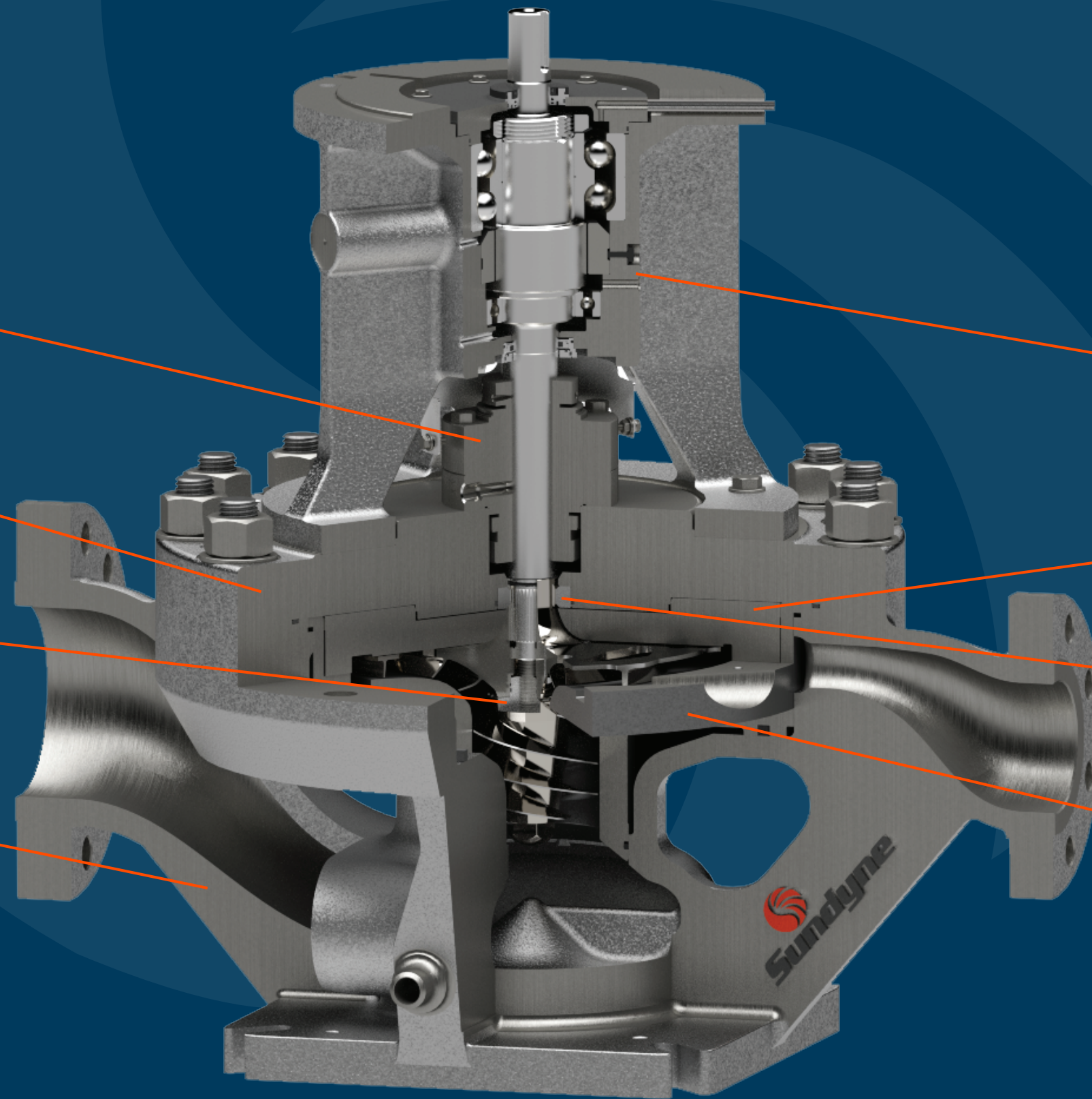
Pump Casing

Oil Mist Bearing
Box Standard
(Grease Bearing
Box Optional)

Diffuser Cover

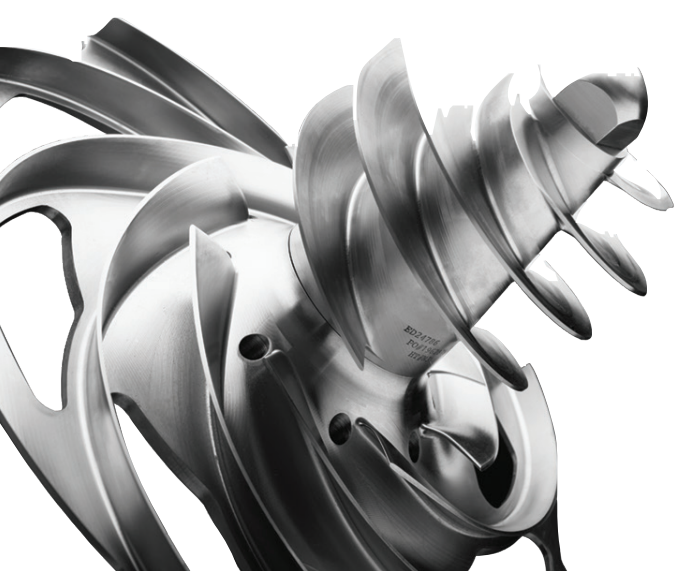
Re-designed
Throat Bushing

Diffuser

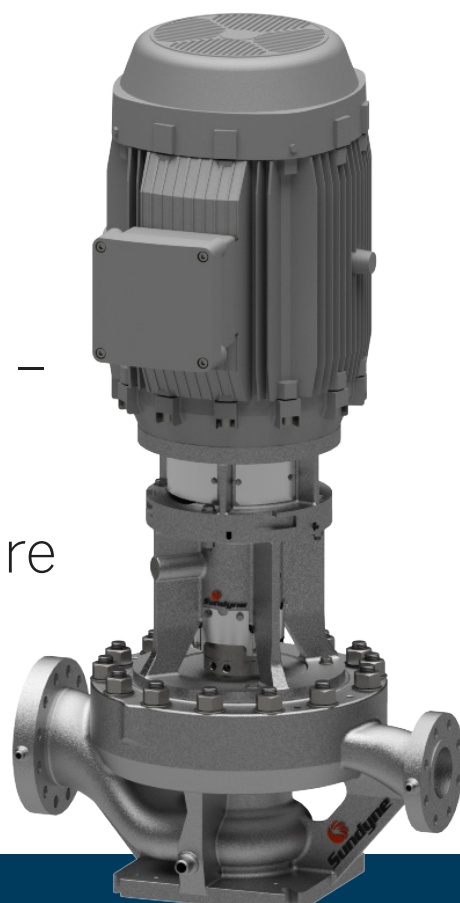


Sundyne offers a range of on-site support functions designed to keep your equipment up-and-running in a manner that maximizes performance, efficiency and reliability. Onsite services include:

1. **SundSCHOOL™** – maintenance and operator training can be brought to your facility
2. **Troubleshooting and site surveys** – to analyze flow & vibration data and to assist with shop repairs
3. **Customized service & parts agreements** – tailored to your specific needs
4. **Seasonal turnaround support** – to ensure timely delivery of maintenance and upgrade components.



Questions?
Call us today at
1-866-Sundyne



Sundyne Headquarters:
Sundyne, LLC
14845 West 64th Avenue
Arvada, Colorado 80007 USA

1-866-Sundyne
Phone: 1 303 425 0800
Fax: 1 303 425 0896
www.sundyne.com

Dijon, France
Eastbourne East Sussex, UK
Madrid/Toledo, Spain
Tokyo, Japan