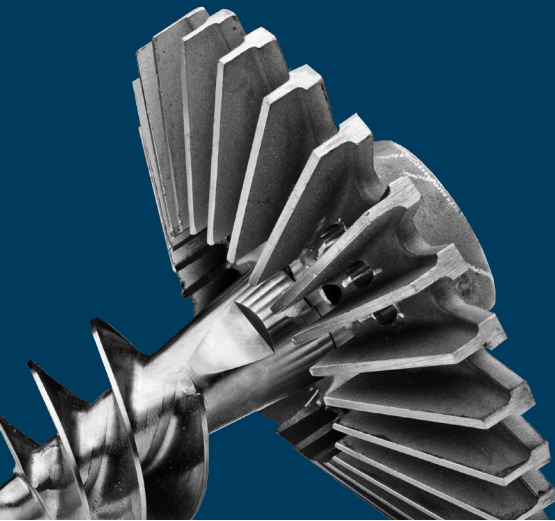




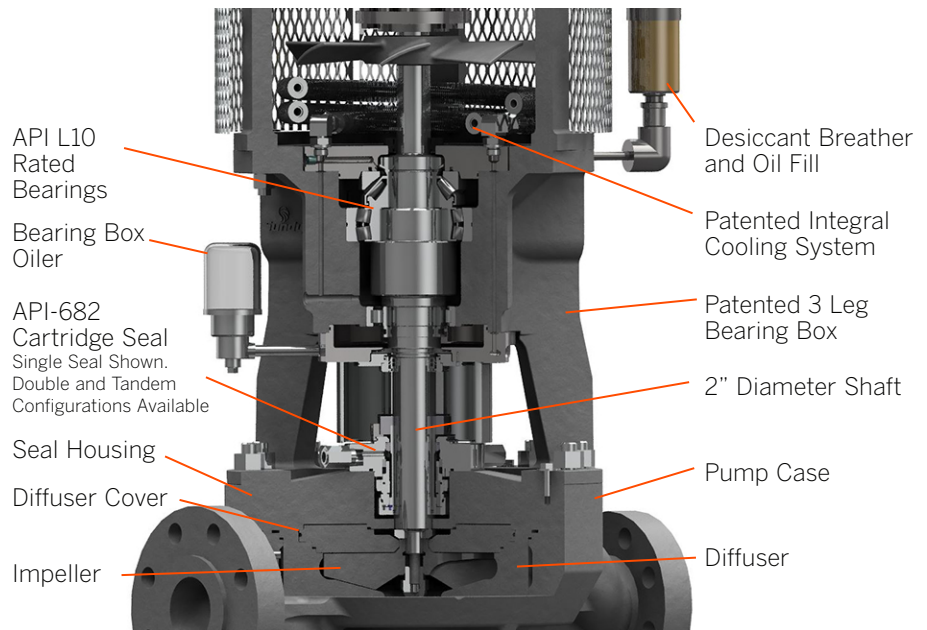
Direct drive vertical centrifugal pump

API 682 Cartridge Seal

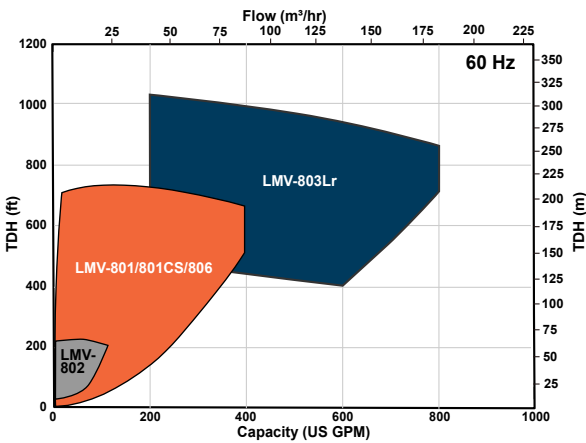
The Sundyne LMV 801CS is a direct drive centrifugal pump with a standard OH3 API 610 configuration.



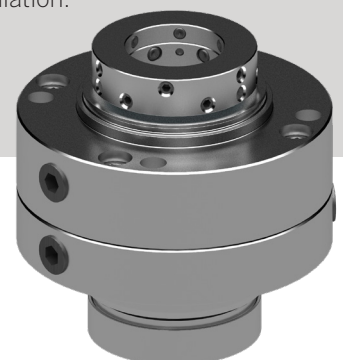
Sundyne LMV 801CS, API 610 OH3



LMV 801CS



- The Sundyne LMV 801CS (Cartridge Seal) is a self-contained unit consisting of a shaft sleeve, seal and gland plate that fits onto the pump shaft as a single assembly.
- The cartridge seal design eliminates the fitting and installation requirements associated with component seals.
- The compact and rugged **API 682 cartridge seal** is designed specifically for the Sundyne LMV 801, providing operators and maintenance engineers with an alternative to standard seal configurations, in a convenient package that eliminates errors in installation.



Typical Applications

- Polymers
- Conventional Boiler
- Crude Handling
- Boiler Circulation Systems
- Refining
- Water Handling
- Oil and Gas
- Water Treatment

Upgrade to an API 682 Cartridge Seal today!

60 Hz Specifications

Heads to	720 ft
Flows to	380 gpm
Maximum Power	75 HP
Temperature Range	-40 to 450°F
Number of Stages	1
Maximum Allowable Working Pressure	1,440 psi
Maximum Suction Pressure	875 psig
Maximum Viscosity	750 cP
Industry Standard	OH3 API-610
Solids Range	0.015"
Mounting Configurations	Vertical
Seal Configurations Available	Single, Double, Tandem API 682 Cartridge
Available Inducer	Yes
Available Flanges	ANSI 600# RF, 900# RF Optional
Pump Case Corrosion Allowance	0.125"
Suction and Discharge Size	3" x 2"
API Plans for Sundyne Pumps	11, 13, 14, 21, 31, 32, 41, 52, 53, 54, 61, 62



Questions?
Call us today at 1-866-Sundyne