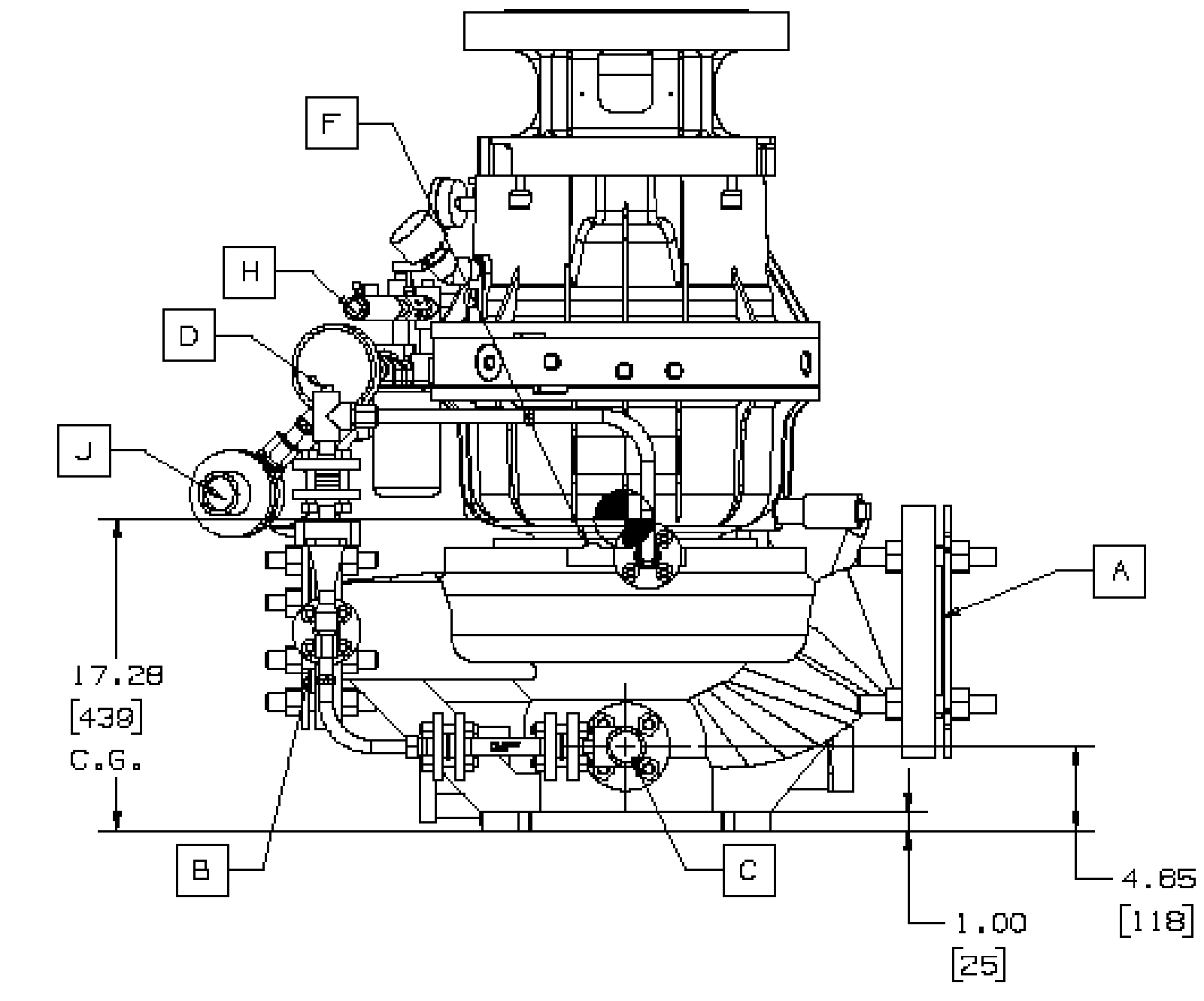
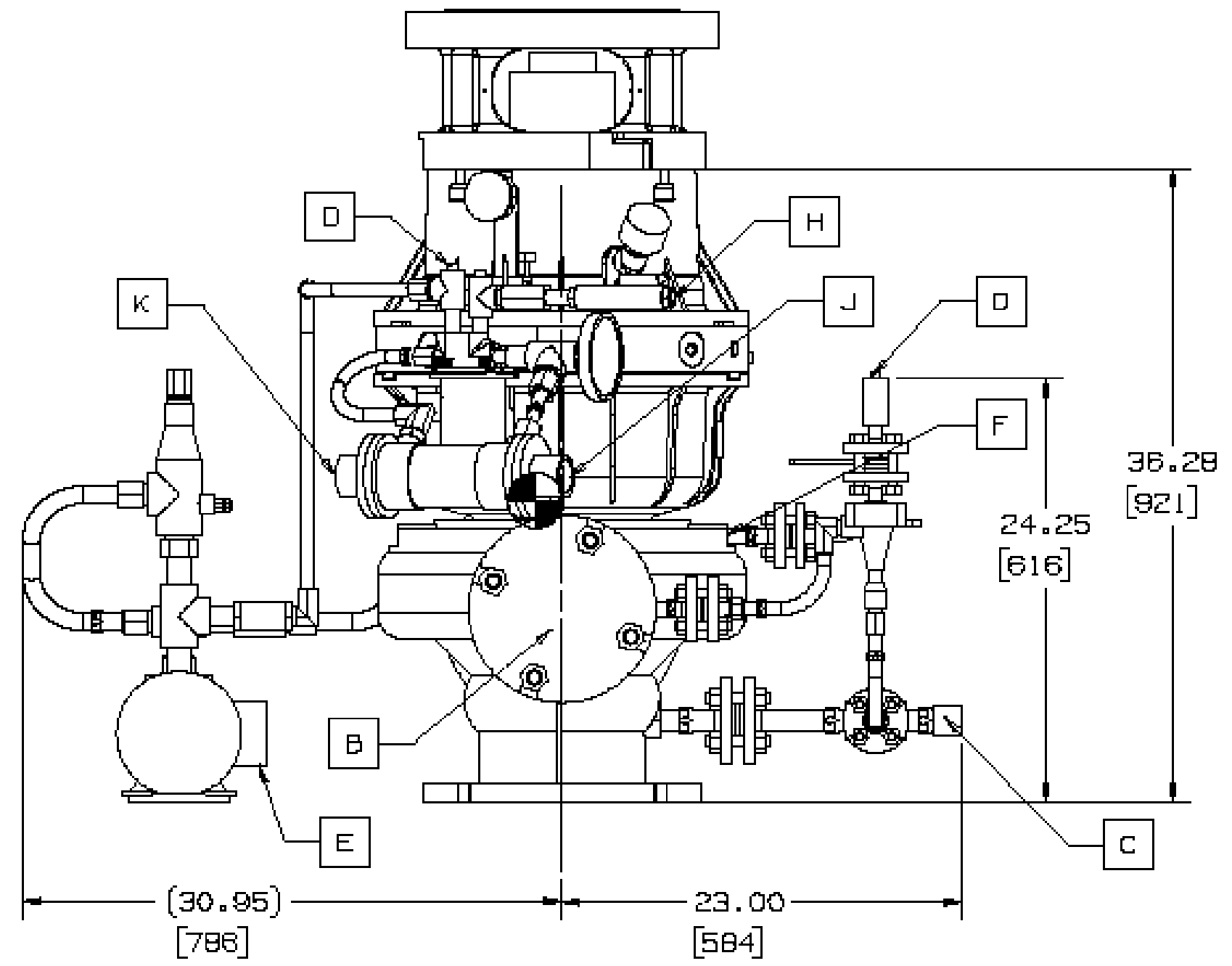
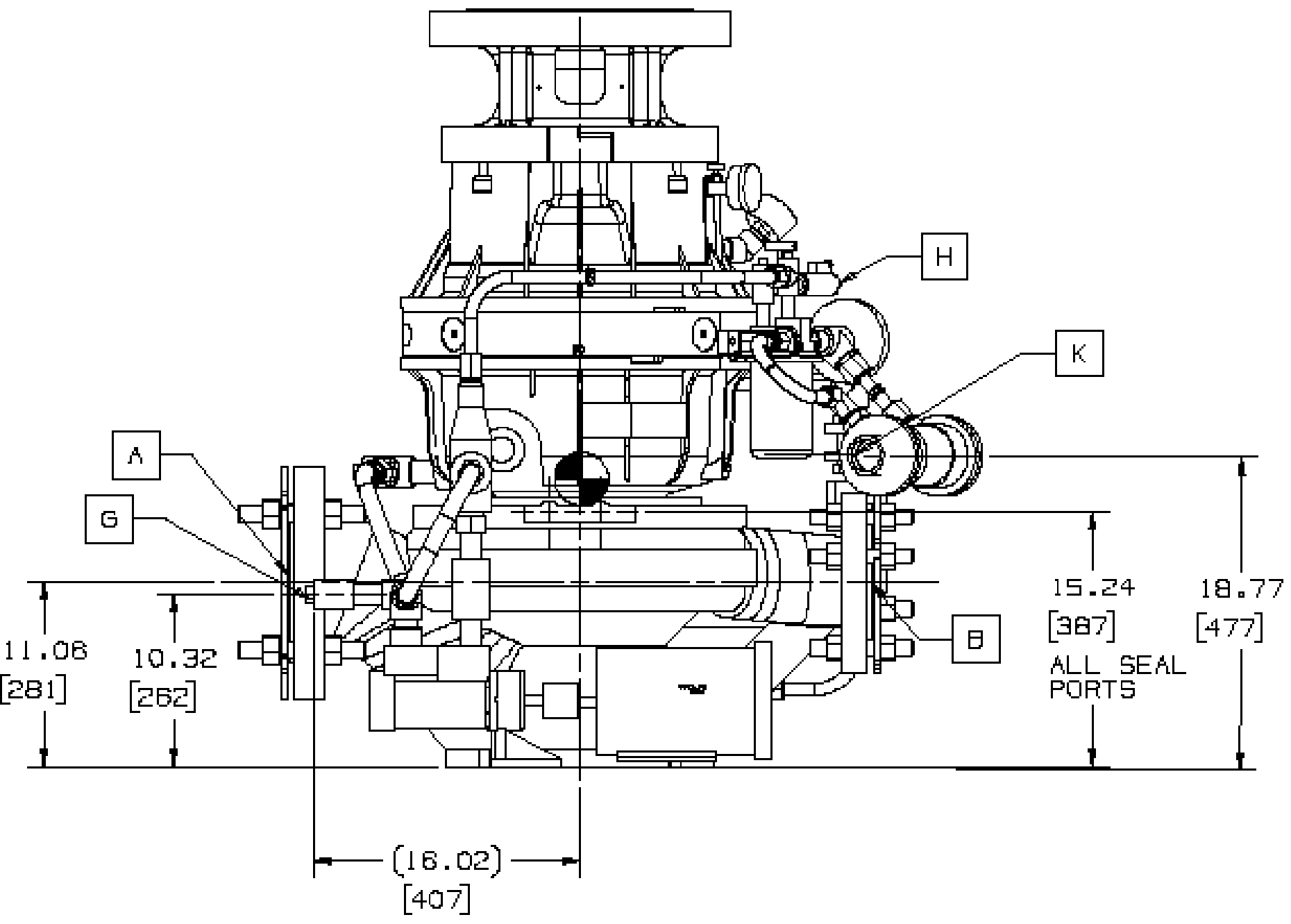
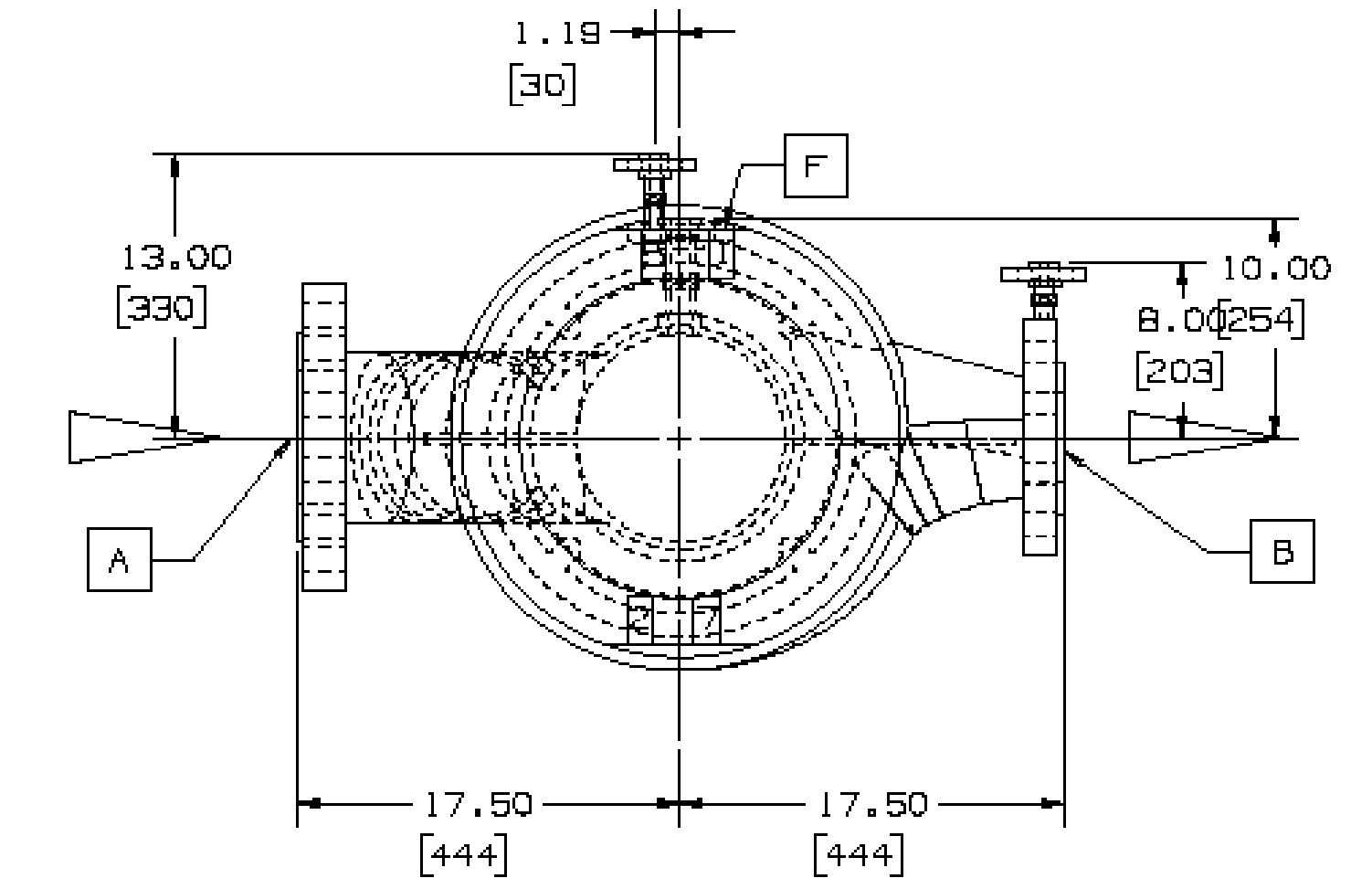
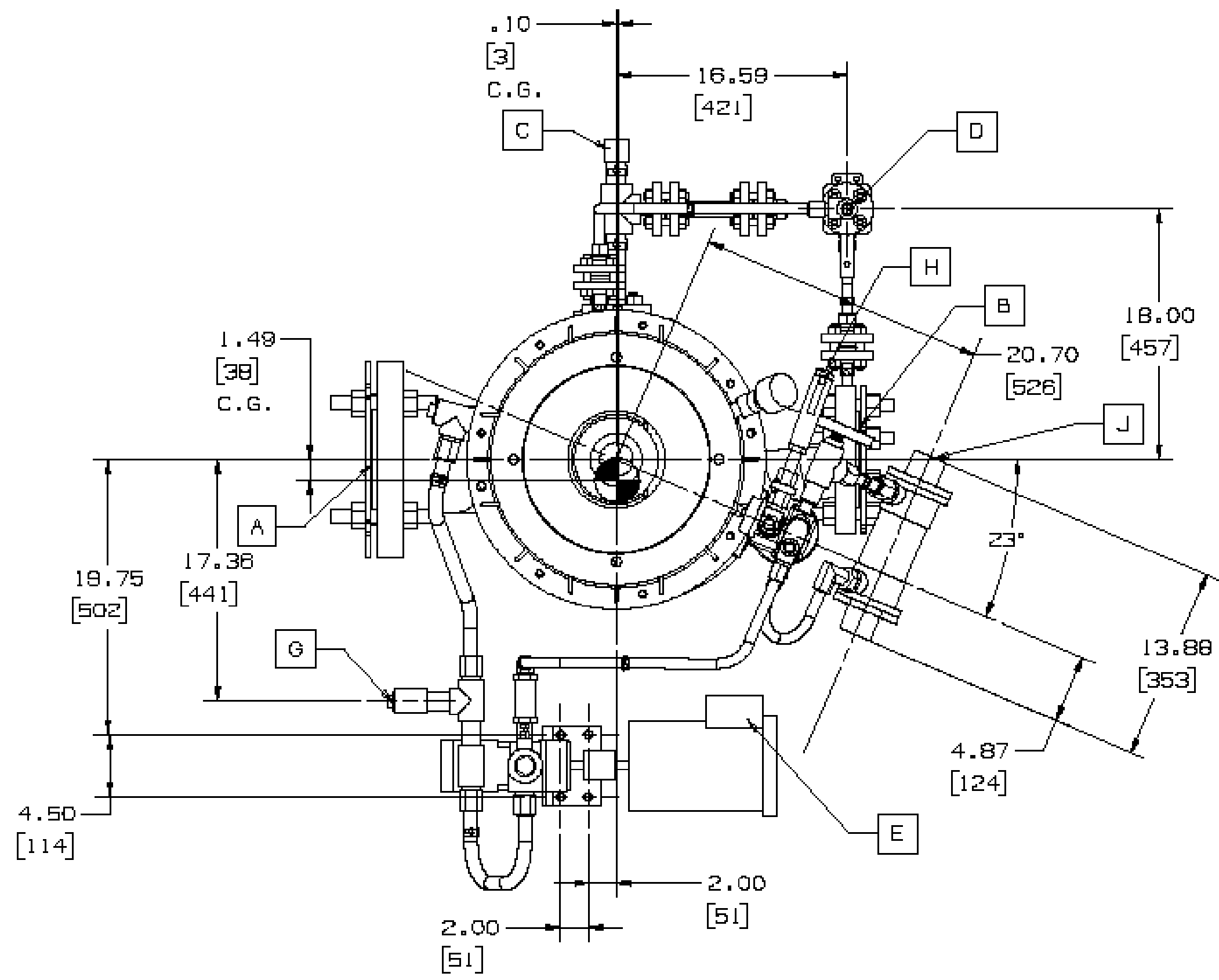


THIS DOCUMENT CONTAINS PROPRIETARY INFORMATION OF SUNDYNE. NEITHER RECEIPT NOR POSSESSION THEREOF CONVEYS ANY RIGHT TO REPRODUCE, OR USE, OR DISCLOSE, IN WHOLE OR IN PART, ANY SUCH INFORMATION WITHOUT WRITTEN AUTHORIZATION FROM SUNDYNE.

CCW  
MOTOR  
ROTATION  
(VIEWED FROM TOP  
OF MOTOR)



CUSTOMER	AIR PRODUCTS, INC.
END USER	AIR PRODUCTS, INC.
LOCATION	GEISMER, LA
PURCHASE ORDER NUMBER	450 30 79947
ITEM	P-310 A/B
SERIAL NUMBER	A2428965-01
MODEL	LMV-333

KIT, FLUSH, API 31	
SIZE D	KF 31 AKO 3
SCALE 1/8	WT=ACTL
CALC	SHEET 4 OF 5