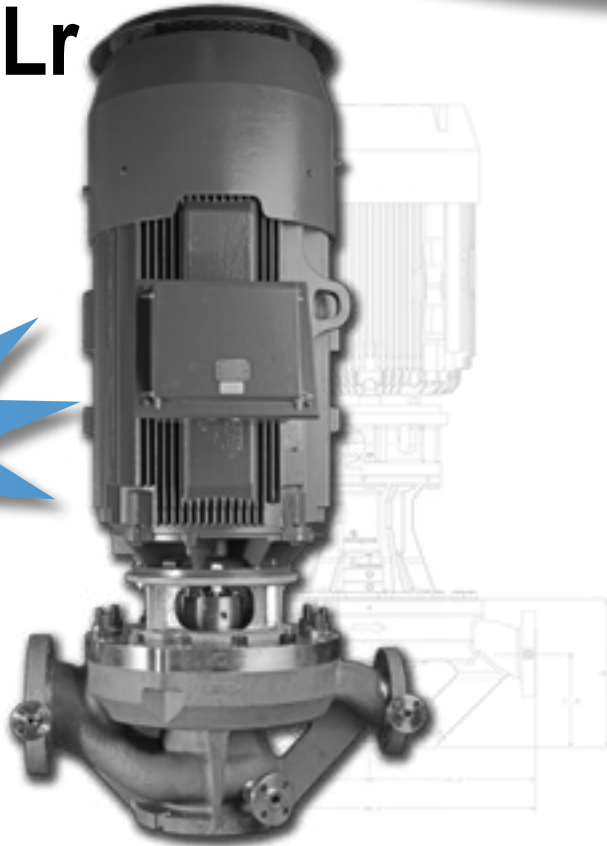


A Centrifugal High Flow, Low NPSH Pump. NPSH Less Than 5 FT at 500 GPM!



# LMV-803Lr

## High Flow Pump



**NOW  
WITH A  
682 SEAL**

The LMV-803Lr is the high flow variant of our popular LMV technology in a direct drive package. The LMV-803Lr features Sundyne inducer technology and a backswept impeller, thus allowing it to reach lower NPSH requirements than competitive models without risk of cavitation.

These features make the pump ideal for use as booster or fractionation bottom pumps in midstream LNG processing applications, as well as for handling seawater or condensate truck loading. Built to comply with OH3 and OH5 standards and fully compliant with API 610 A-8 guidelines for pumps in its class, the LMV-803Lr also boasts a robust new 6x4 casing design that is purpose-built to withstand the rigors of high pressure applications.

Our most rugged LMV variant to date, the 803Lr brings the compact footprint, uptime reliability and optimized efficiency of this workhorse technology to your high pressure, high flow application.

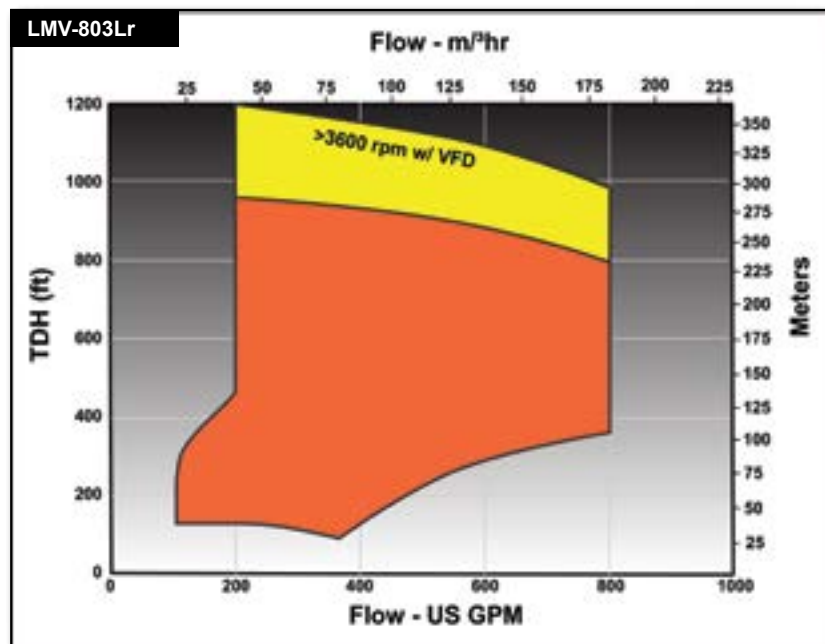
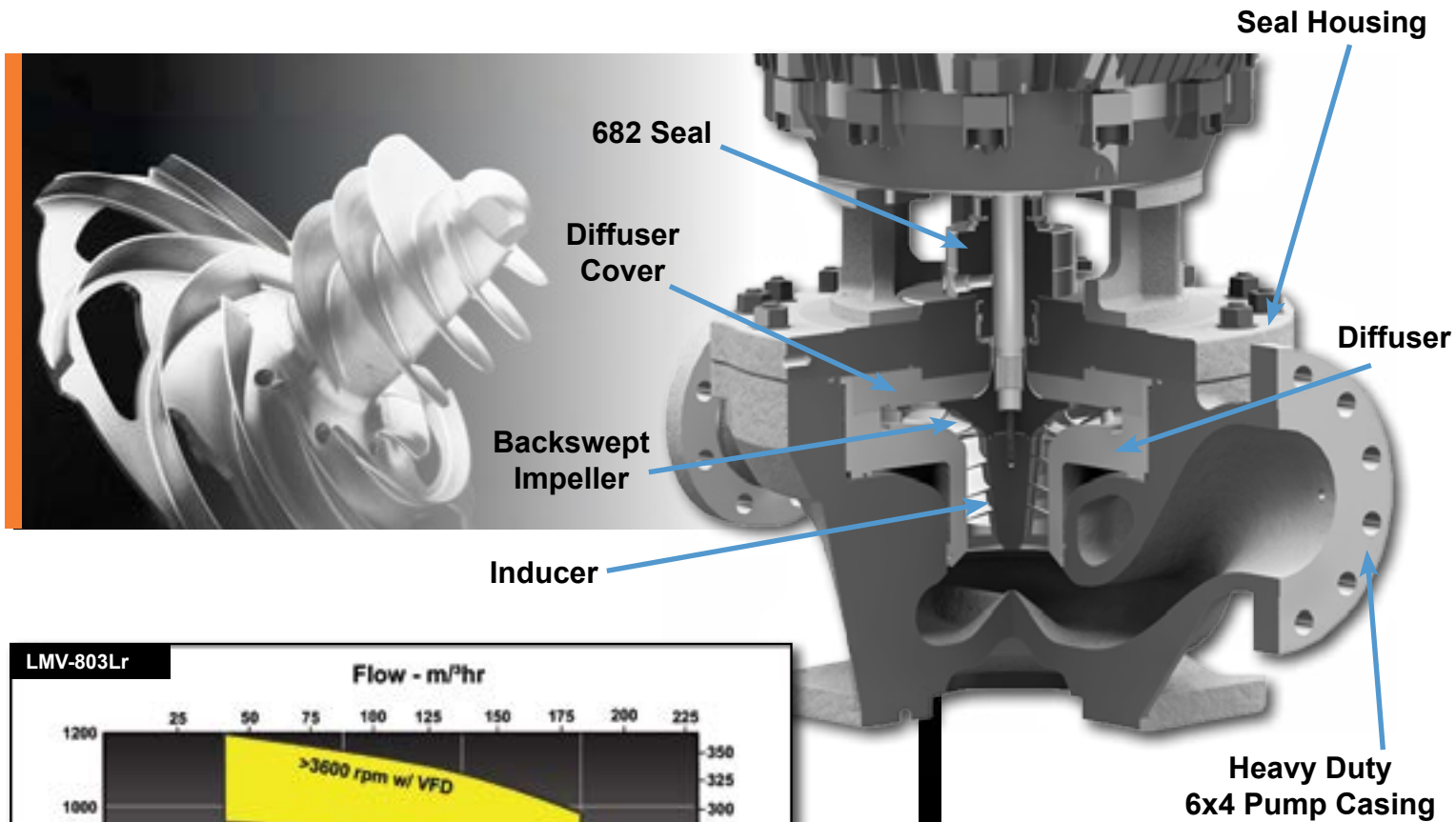
### Specifications

Heads To	120 to 1,000 ft	37 to 305 m
Flows To	200 to 800 gpm	45 to 181 m <sup>3</sup> /hr
Max Power	0 to 400 hp	0 to 298 kW
Temp Range	0 to 300°F	-18 to 149°C
Number of Stages	1	
Max Case Working Pressure	1,000 psig	70 kg/cm <sup>2</sup>
Max Suction Pressure	525 psig (37 kg/cm <sup>2</sup> )	
Differential Head	1,000 ft	305 m
Standard Delivery	Consult Factory	
Speed Range	1,450 to 3,550 rpm	
Materials of Construction	Stainless Steel	
Bearing Materials Available	Ball Bearings (bearing frame)	
Hydrotest Pressure	1,500 psig	105 kg/cm <sup>2</sup>
Mounting Configurations	Vertical	
Number of Available Hydraulics...	Consult Factory	
Seal Configurations Available	Single, Double, Tandem, Cartridge	
Available Inducer	Yes	
Available Flanges	600#	
Pump Case Corrosion Allowance	0.125" (3.175 mm)	
Suction and Discharge Size	6" x 4"	
API Plans for Sundyne Pumps	11, 12, 14, 52, 53, 61, 62	

### APPLICATIONS

- Oil and Gas
- Production
- Gas Processing





**A Centrifugal High Flow, Low NPSH Pump. NPSH Less Than 5 FT at 500 GPM!**

Visit our website at: [www.sundyne.com](http://www.sundyne.com)

Sundyne Headquarters: Sundyne, LLC 14845 W. 64th Ave. Arvada, CO 80007 USA 1-866-SUNDYNE (US and Canada) Ph: +1 303 425 0800 Fax: +1 303 425 0896

Sundyne China: Bldg. 1, No. 879 Shen Fu Road, XinZhuang Industrial Zone, Min Hang District, Shanghai, China 201108 Ph: +86 21 5055 5005 Fax: +86 21 5442 5265

Sundyne France: Sundyne International S.A. 13-15, Bld. Eiffel - B.P. 30 21604 Longvic Cedex France Ph: +33 (0)3 80 38 33 00 Fax: +33 (0)3 80 38 33 66

Sundyne Spain: Sundyne Marelli Bombas, S.R.L. Ctra. Madrid-Toledo, Km.30.8 45200 Illescas Toledo, Spain Ph: +34 925 53 45 00 Fax: +34 925 51 16 00

Sundyne United Kingdom: Sundyne HMDKontro Sealless Pumps, Ltd. Marshall Rd Hampden Park Industrial Estate Eastbourne East Sussex, BN22 9AN UK Ph: +44 1323 452000 Fax: +44 1323 503369

© 2015 Sundyne, LLC All rights reserved. Other logos and trade names are property of their respective owners. LMV-803Lr\_A4\_DS\_POD\_v2.0\_041116