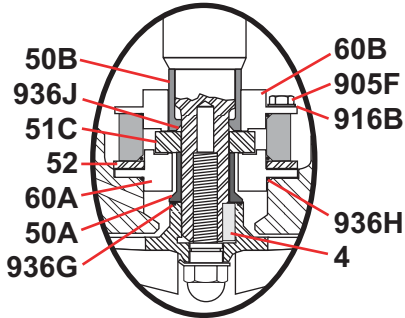
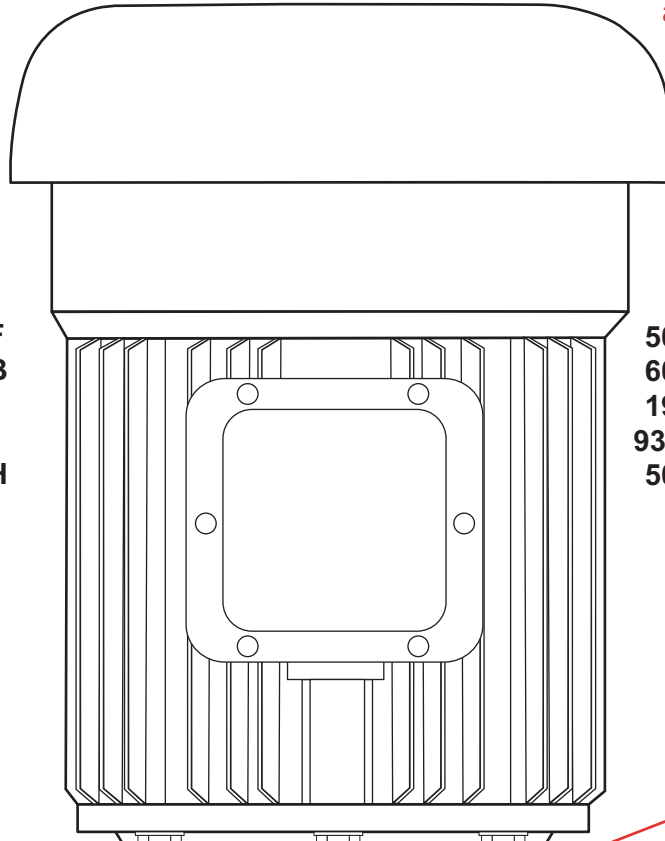
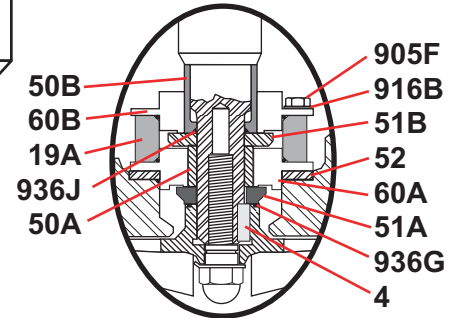


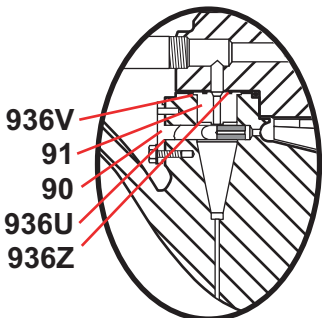
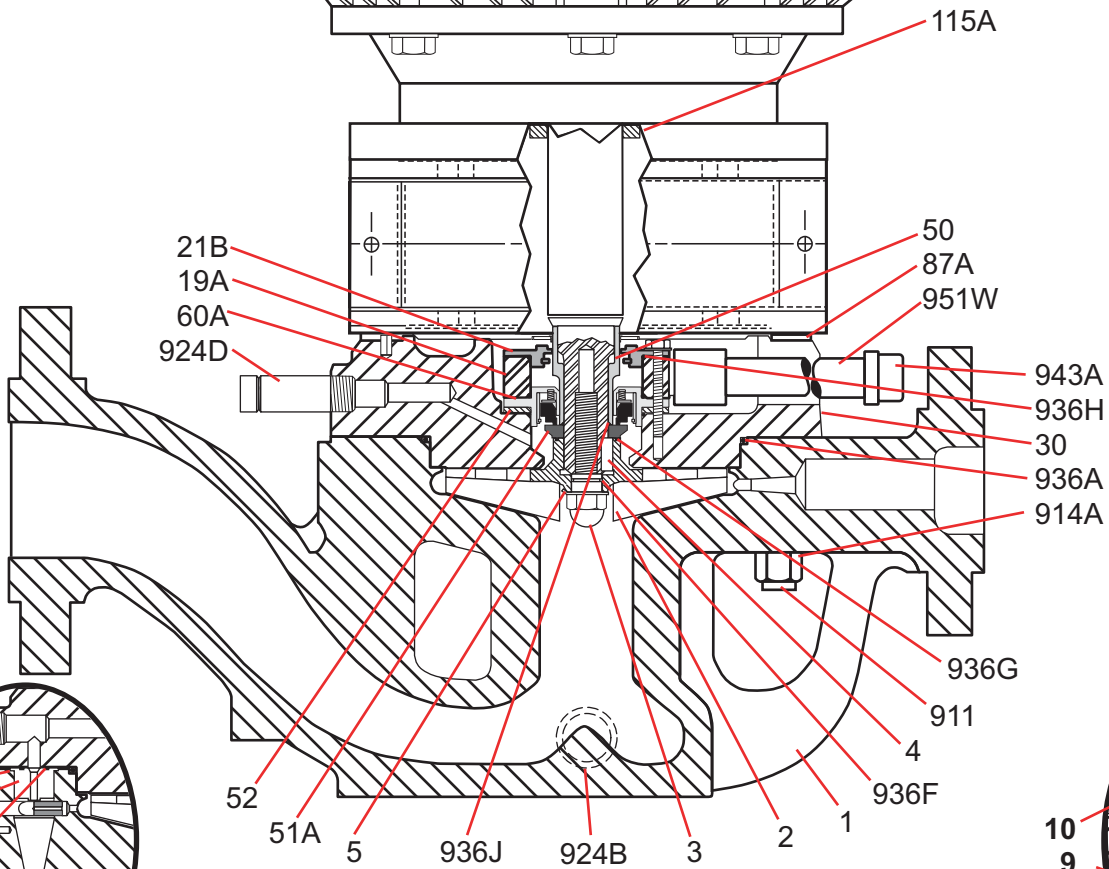
Pump Cross Section with Driver Single Seal Arrangement and Extended Shaft Design



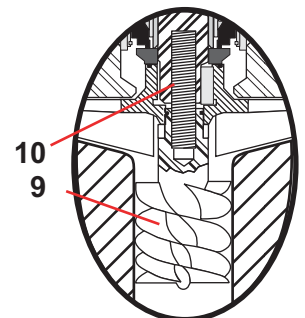
**Optional
 Dual Pressurized
 (Double) Seal**



**Optional
 Dual Unpressurized
 (Tandem) Seal**



**Optional Internal
 Centrifugal Separator**



Optional Inducer

Note:

1. Item numbers listed above identify only part location and must be used with parts list for specific pump.
2. A combination of options may be used in a specific unit. Refer to instruction manual.