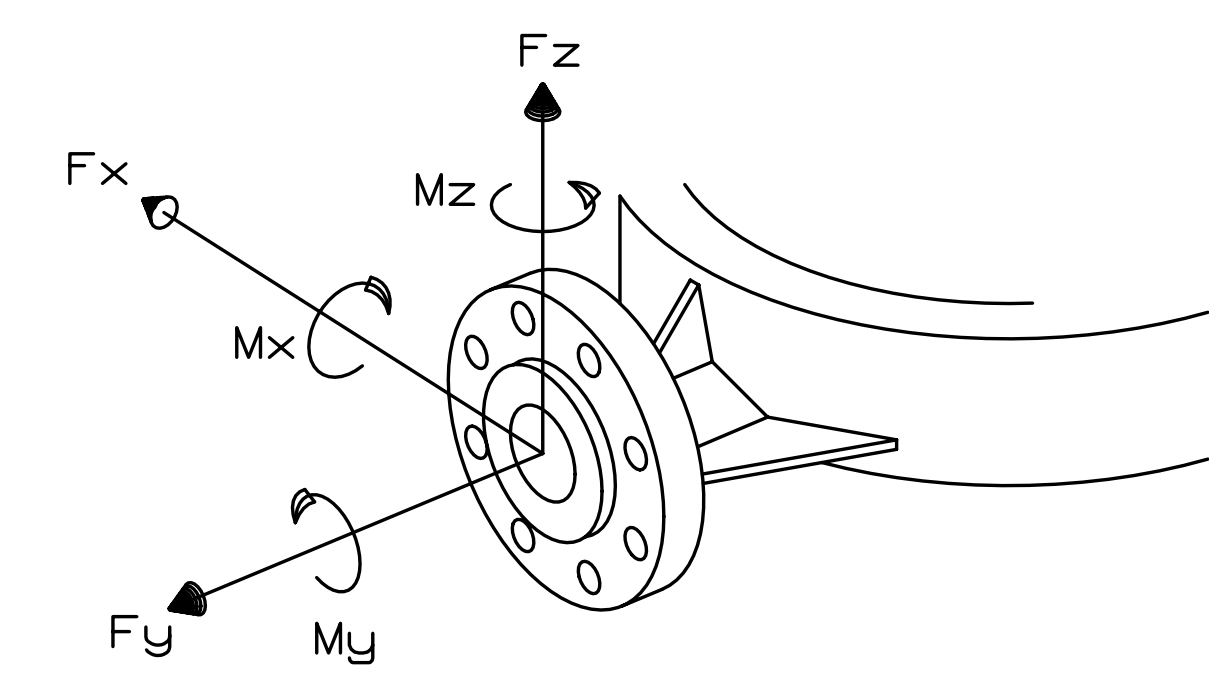


THIS DOCUMENT CONTAINS PROPRIETARY INFORMATION OF SUNDYNE CORPORATION. NEITHER RECEIPT NOR POSSESSION THEREOF CONFERS ANY RIGHT TO REPRODUCE, OR USE, OR DISCLOSE, IN WHOLE OR IN PART, ANY SUCH INFORMATION WITHOUT WRITTEN AUTHORIZATION FROM SUNDYNE CORPORATION.

DWG NO	PR13AB02	SH	1	REV	
				REVISION	
				DESCRIPTION	

No	UNLESS OTHERWISE SPECIFIED OR APPLICABLE
1	DIMENSIONS IN INCHES (mm)
2	ALL PIPING CONN. ± 1/4"
3	WEIGHTS: PUMP 260 LBS/118 KG GEARBOX 110 LBS/ 50 KG MISC 100 LBS/ 45 KG MOTOR LBS/ KG
	TOTAL
4	NOTE: THIS PROPOSAL DWG IS INTENDED FOR USE OF EQUIPMENT AS SPECIFIED IN "TITLE BLOCK" ONLY. OTHER EQUIPMENT SUCH AS MOTOR, GAUGES AND MATERIAL WILL BE SPECIFIED AND DIMENSIONED AS REQUIRED ON THE CUSTOMER OUTLINE DRAWING.

MAXIMUM ALLOWABLE FORCES AND MOMENTS ON FLANGES OF SUNDYNE UNITS



PUMP MODELS LMV-311, 322, 331, 801, 802, 806; BMP-311, 331

FLANGES	F <sub>x</sub>	F <sub>y</sub>	F <sub>z</sub>	M <sub>x</sub>	M <sub>y</sub>	M <sub>z</sub>
SUCTION 3"	480	600	400	1400	700	1060
DISCHARGE 2"	320	400	260	680	340	520

FLANGES	F <sub>x</sub>	F <sub>y</sub>	F <sub>z</sub>	M <sub>x</sub>	M <sub>y</sub>	M <sub>z</sub>
SUCTION 3"	2135	2669	1779	1898	949	1437
DISCHARGE 2"	1423	1779	1157	922	461	705

THESE VALUES DEVELOPED FROM FORCES AND MOMENTS LIMITS AS ESTABLISHED IN API 610, 8TH EDITION

API PLAN 13 SINGLE-STAGE ORIFICE

FILTER, LUBE OIL

HEAT EXCHANGER, GEARBOX, LUBE OIL

- 6 GAUGE, TEMPERATURE, 2-1/2" DIAL
- 5 GAUGE, PRESSURE, 2-1/2" DIAL
- 4 ORIFICE, MULTIPLE/SINGLE
- 3 HEAT EXCHANGER, 2 X 9, 1 PASS
- 2 VALVE, GATE, VOGT #12401, 1/2" SW, BOLTED BONNET, OS&Y, CL 800, 1975 PSI @ 100°F
- 1 VALVE, GATE, VOGT #12401.1" SW, BOLTED BONNET, OS&Y, CL 800, 1975 PSI @ 100°F

ITEM DESCRIPTION

### CUSTOMER INFORMATION

CUSTOMER : \_\_\_\_\_  
 INQUIRY/P.O. NO. : \_\_\_\_\_  
 QUOTE NO. : \_\_\_\_\_  
 ITEM NO. : \_\_\_\_\_  
 SALES OFFICE : \_\_\_\_\_  
 DATE : \_\_\_\_\_

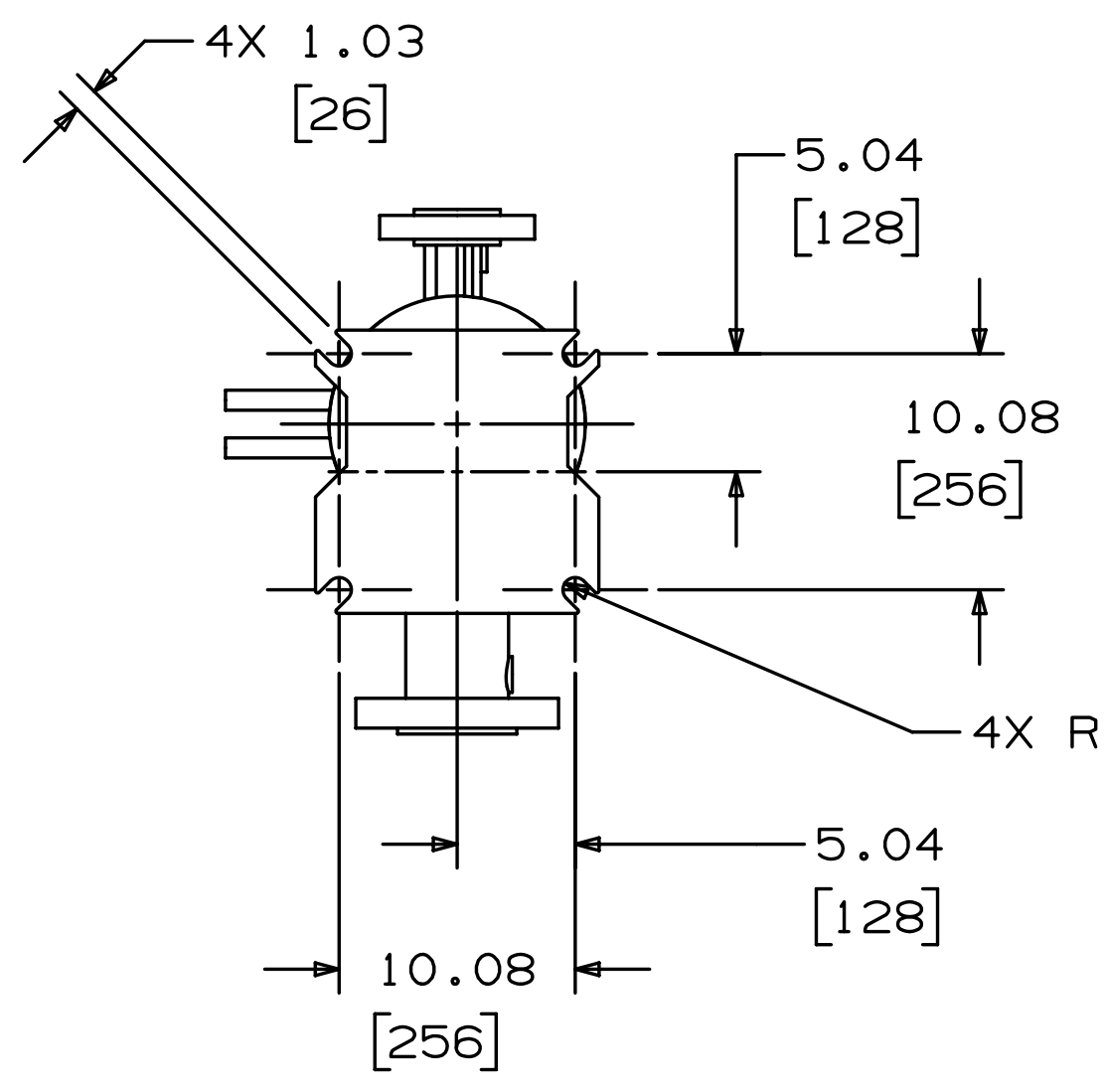
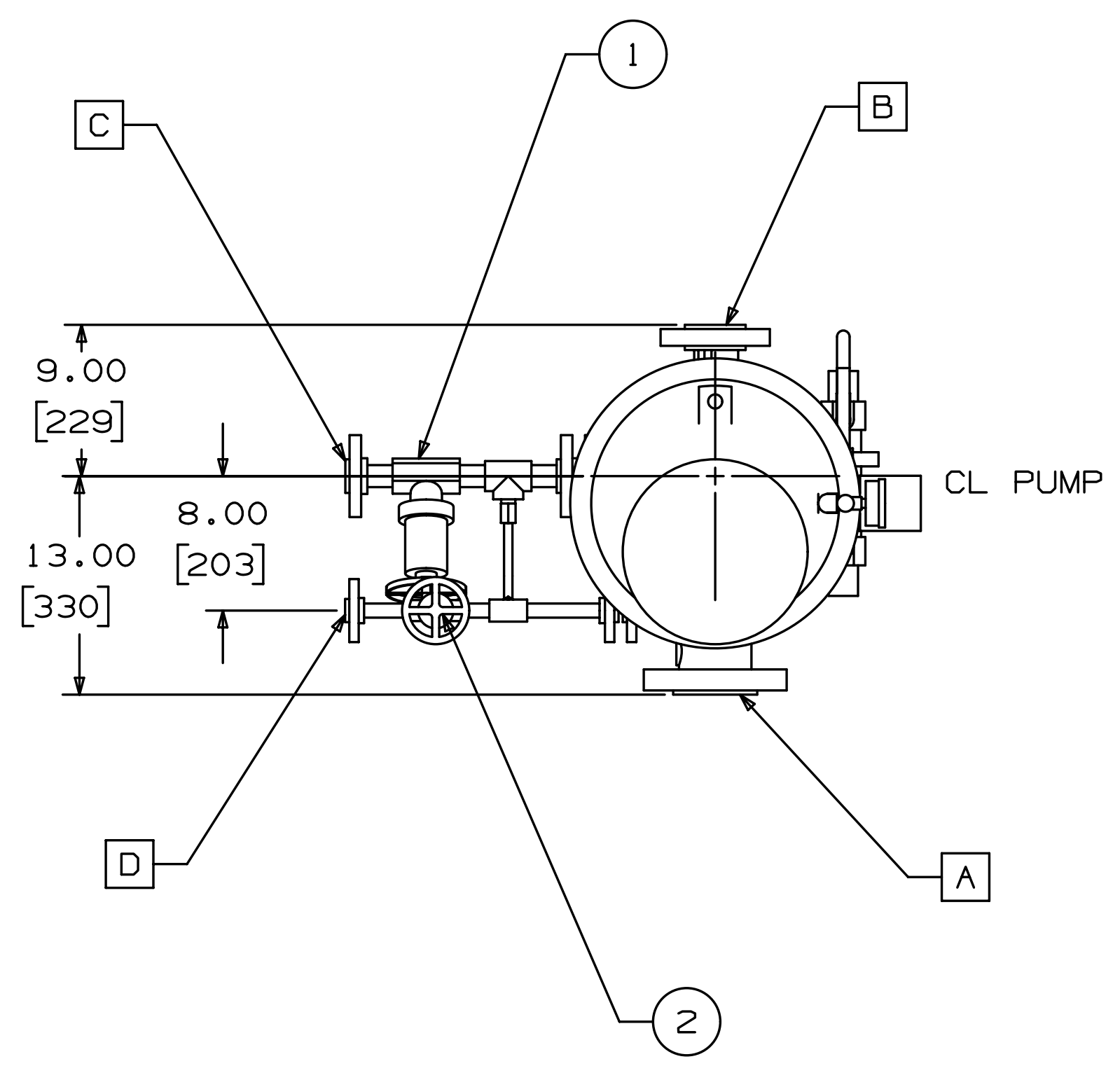
MATERIAL	DWN	L. WEBER	11/15/01	 14845 WEST 84th AVENUE, ARVING, COLORADO, 80007, U.S.A. www.sundyne.com	
	PROJ				
	MFG			LMV-322, GEAR BOX HX, API PLAN 13(TUBING), VENT & DRAIN	
		SIZE	D	PR13AB02	REV
		SCALE	1/8"	WT:ACTL	CALC
		SIMILAR TO		N/A	SHEET 1 OF 2

SEAL VENT

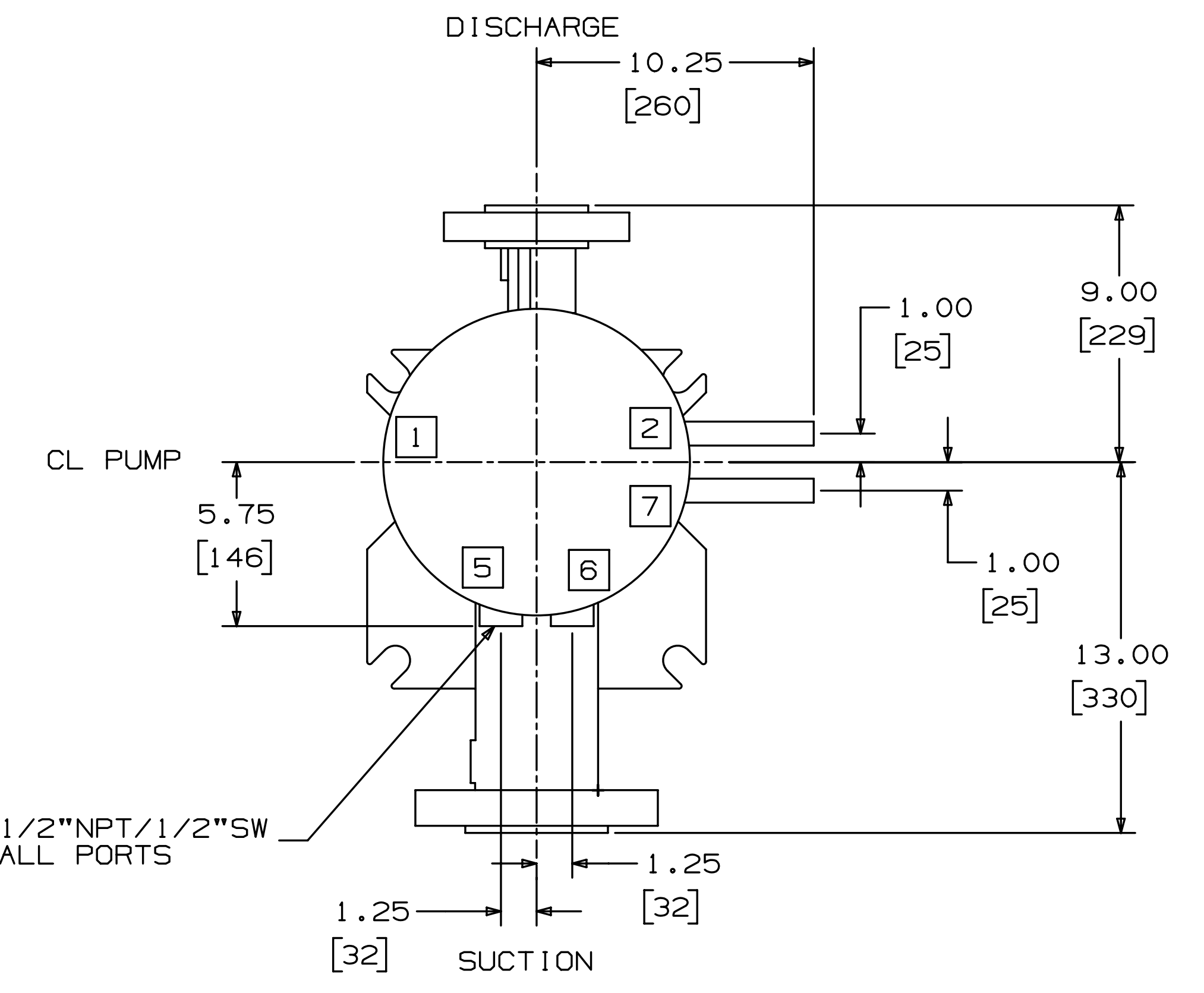
PUMP DRAIN

MODEL LMV-322

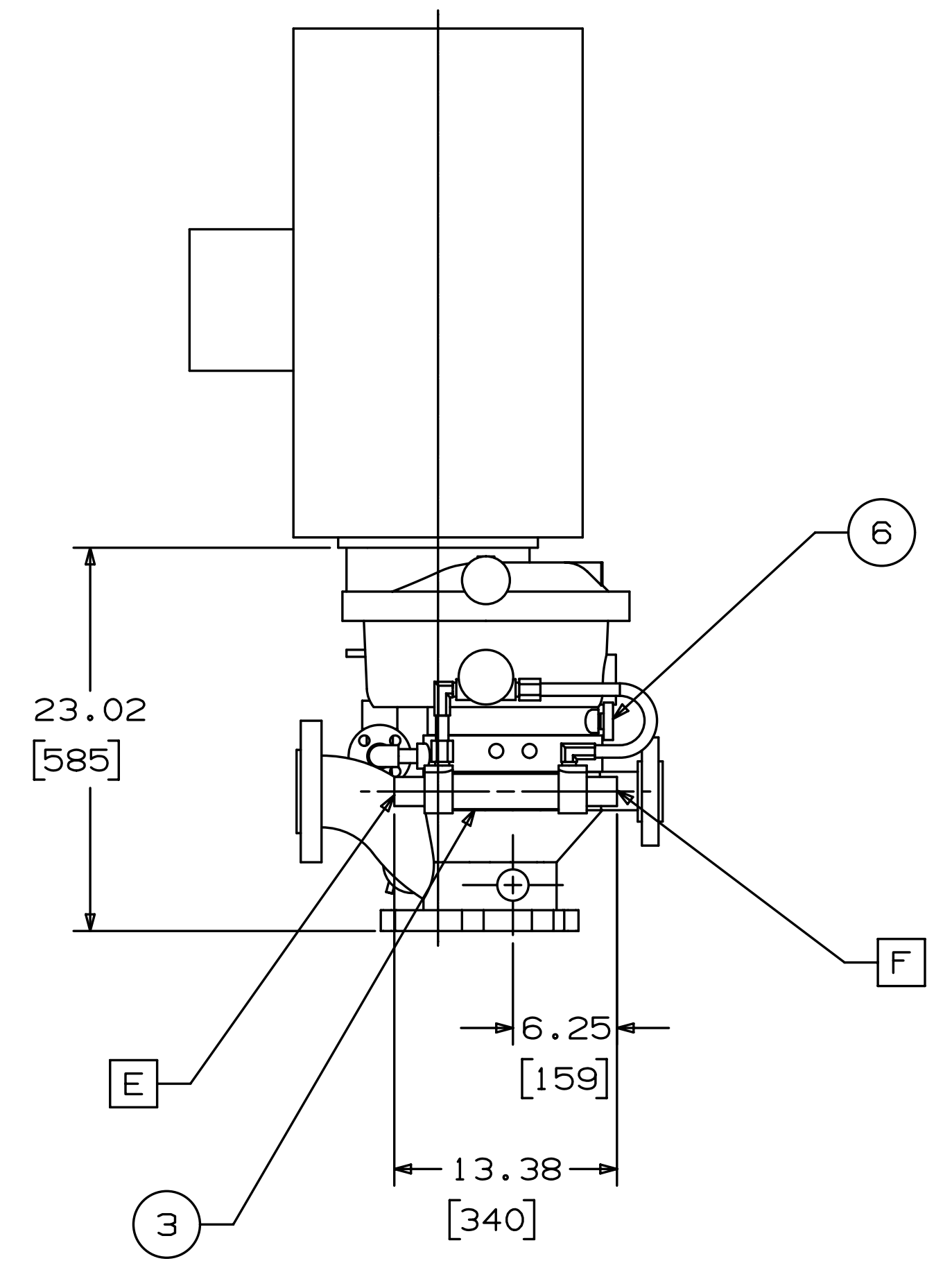
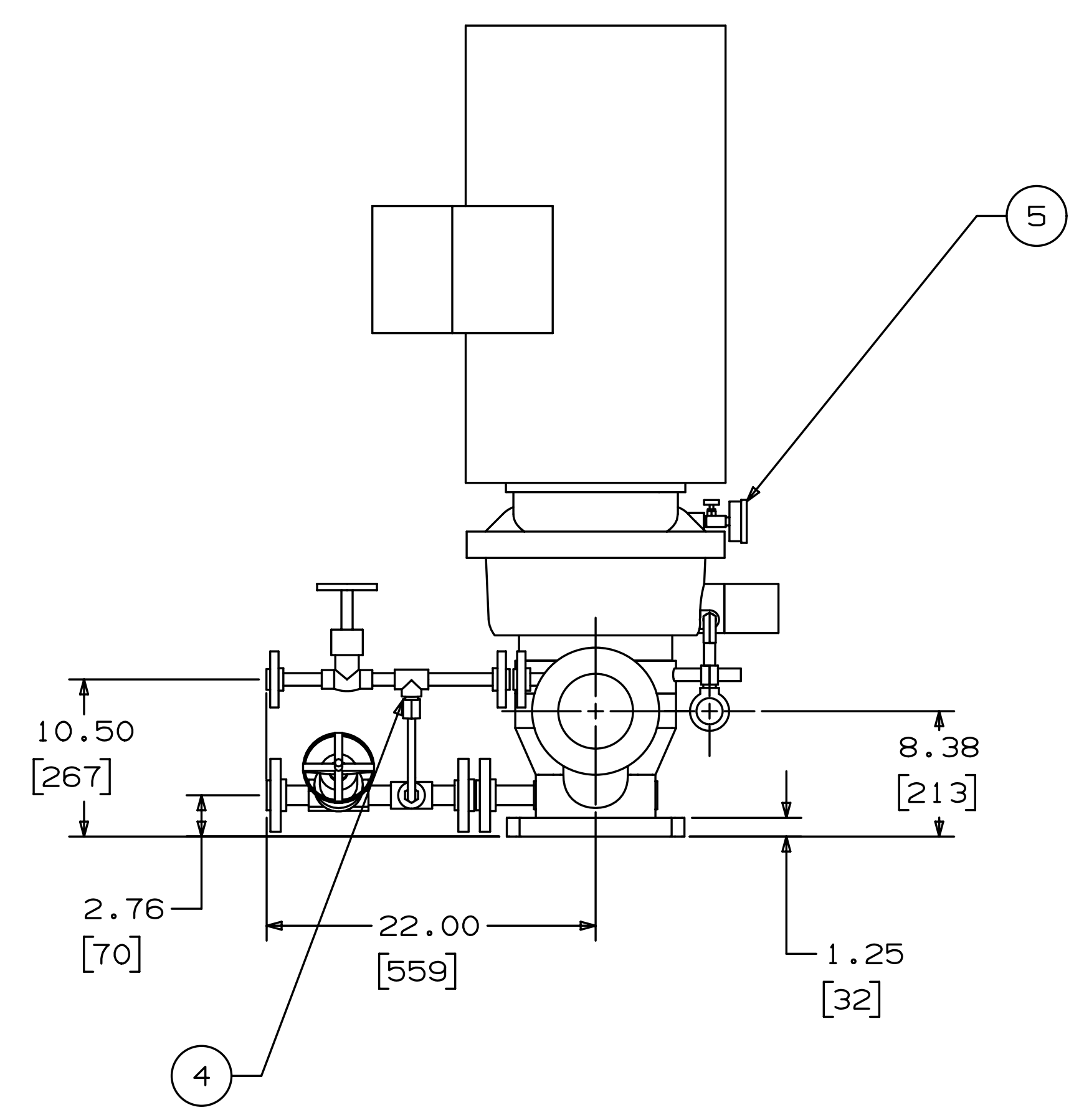
THIS DOCUMENT CONTAINS PROPRIETARY INFORMATION OF SUNDYNE CORPORATION. NEITHER RECEIPT NOR POSSESSION THEREOF CONFERS ANY RIGHT TO REPRODUCE, OR USE, OR DISCLOSE, IN WHOLE OR IN PART, ANY SUCH INFORMATION WITHOUT WRITTEN AUTHORIZATION FROM SUNDYNE CORPORATION.



FLANGED MOUNTING BASE  
(BOTTOM VIEW)



PORT LOCATIONS  
(TOP VIEW)



CUSTOMER CONNECTIONS

- A PUMP SUCTION  
3" - 600#RF  
FLANGE
- B PUMP DISCHARGE  
2" - 600#RF  
FLANGE
- C PUMP CASE DRAIN  
1" - 600#RF, SW  
FLANGE
- D PUMP SEAL VENT  
1/2" - 600#RF, SW  
FLANGE
- E HEAT EXCHANGER  
COOLANT IN  
1"NPT
- F HEAT EXCHANGER  
COOLANT OUT  
1"NPT

LMV-322, GEAR BOX HX, API PLAN 13(TUBING), VENT & DRAIN		
SIZE D	PR13AB02	REV
SCALE 1/8"	WT:ACTL	SHEET 2 OF 2