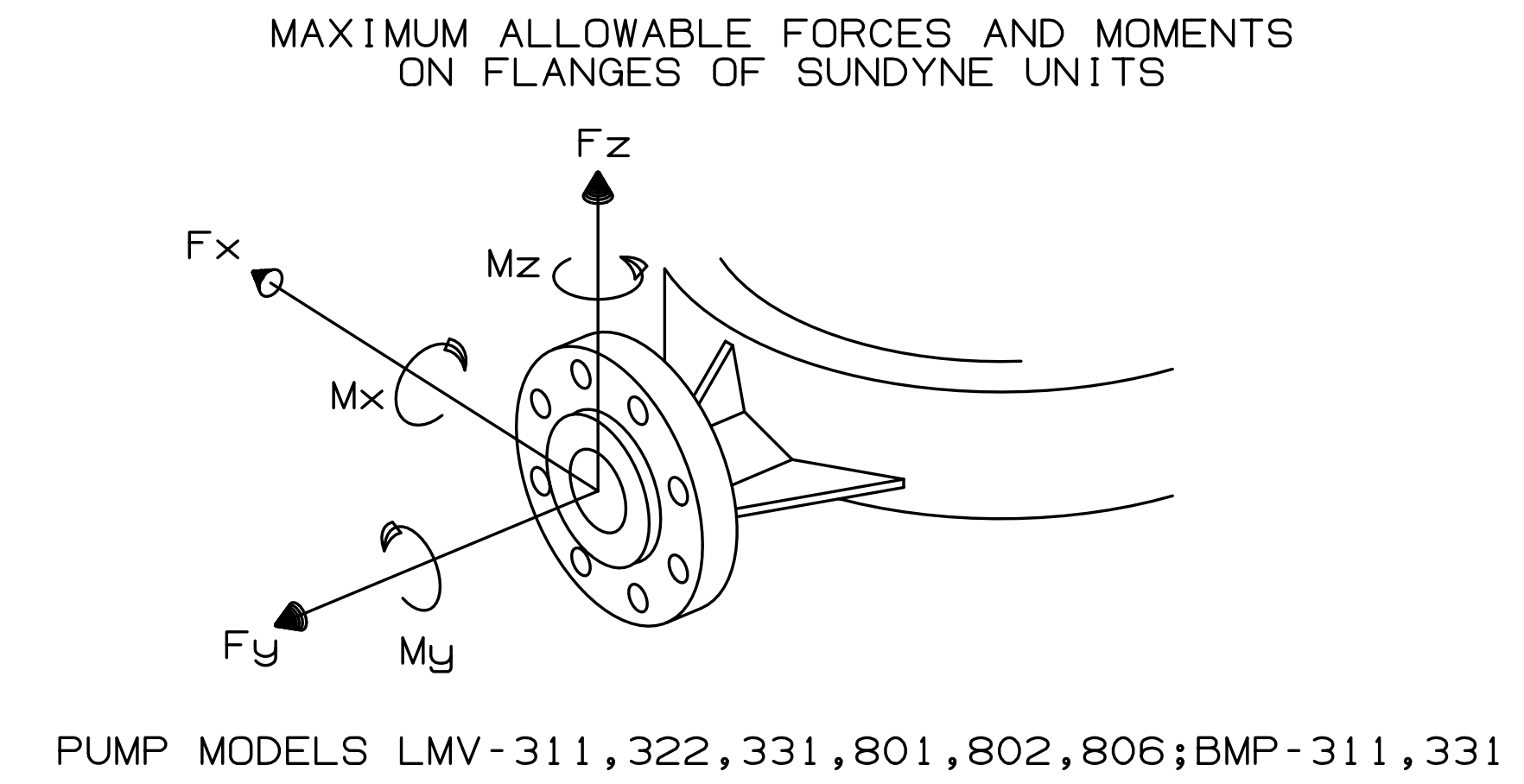


THIS DOCUMENT CONTAINS PROPRIETARY INFORMATION OF SUNDYNE CORPORATION. NEITHER RECEIPT NOR POSSESSION THEREOF CONFERS ANY RIGHT TO REPRODUCE, OR USE, OR DISCLOSE, IN WHOLE OR IN PART, ANY SUCH INFORMATION WITHOUT WRITTEN AUTHORIZATION FROM SUNDYNE CORPORATION.

DWG NO	PR11AB01	SH	1	REV	
<b>REVISION</b>					
DESCRIPTION					

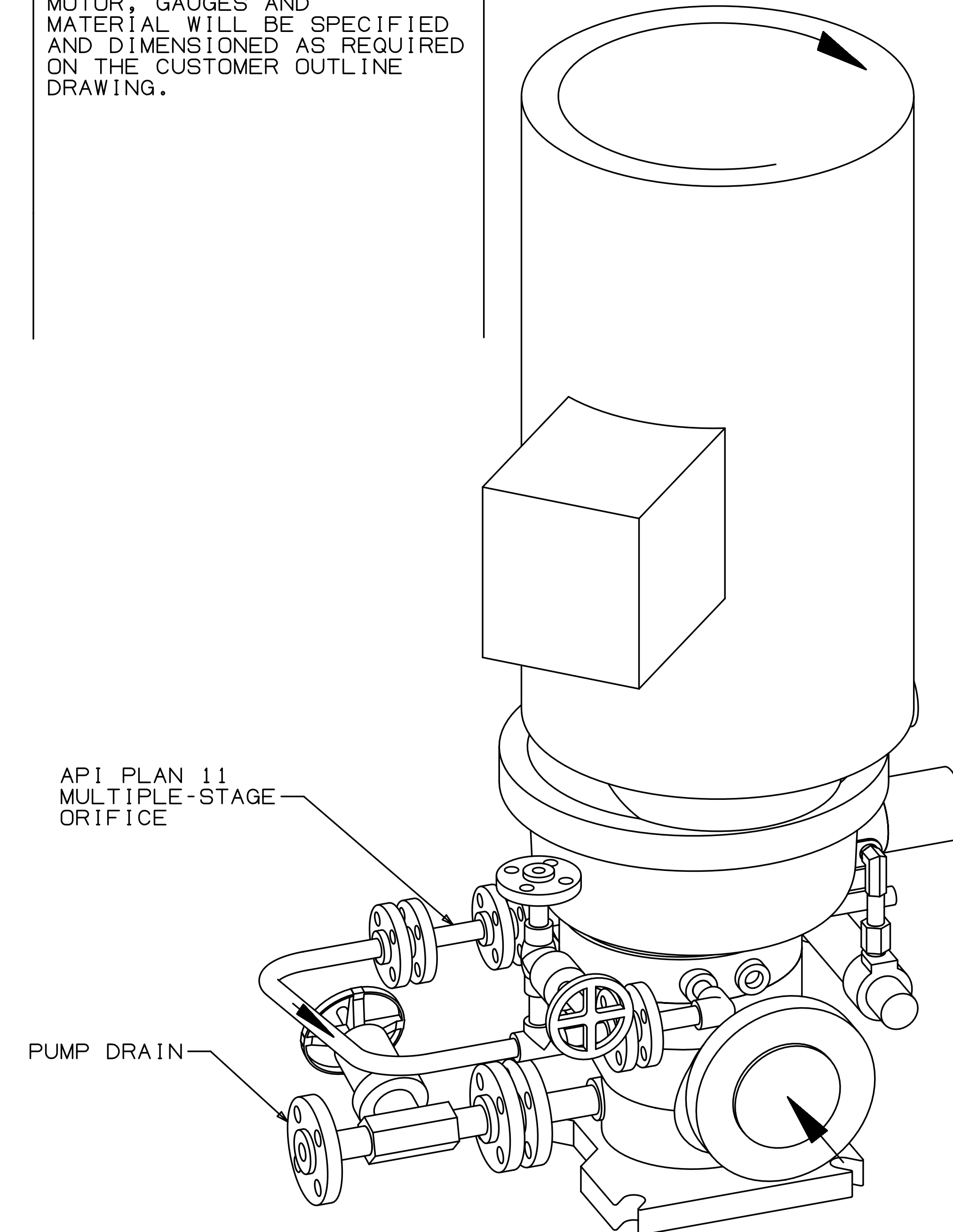
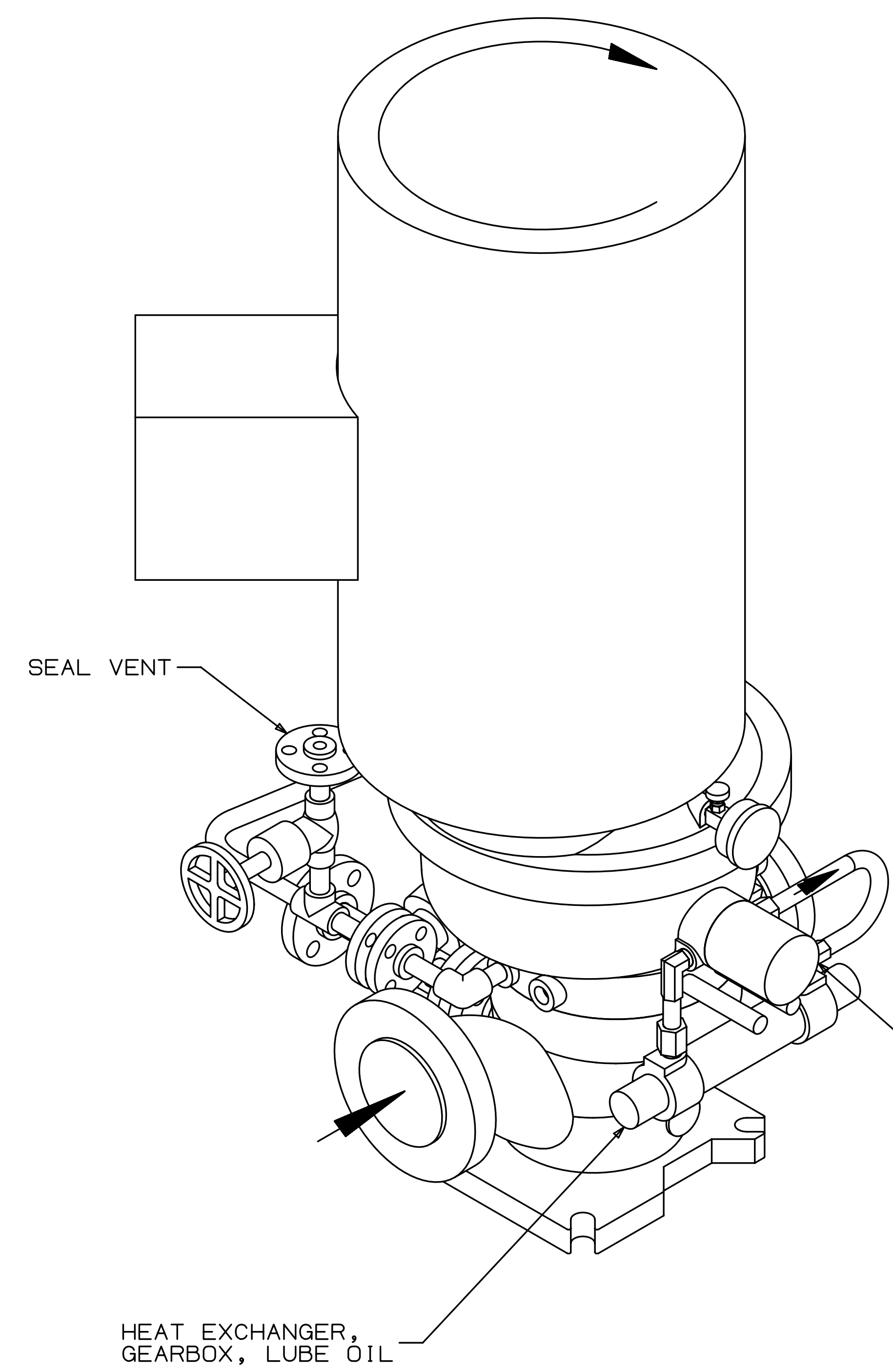
No	UNLESS OTHERWISE SPECIFIED OR APPLICABLE
1	DIMENSIONS IN INCHES (mm)
2	ALL PIPING CONN. ± 1/4"
3	WEIGHTS: PUMP 490 LBS/222 KG GEARBOX 270 LBS/122 KG MISC 200 LBS/ 90 KG MOTOR LBS/ KG
	TOTAL
4	NOTE: THIS PROPOSAL DWG IS INTENDED FOR USE OF EQUIPMENT AS SPECIFIED IN "TITLE BLOCK" ONLY. OTHER EQUIPMENT SUCH AS MOTOR, GAUGES AND MATERIAL WILL BE SPECIFIED AND DIMENSIONED AS REQUIRED ON THE CUSTOMER OUTLINE DRAWING.



FLANGES	Fx	Fy	Fz	Mx	My	Mz
SUCTION 3"	480	600	400	1400	700	1060
DISCHARGE 2"	320	400	260	680	340	520

FLANGES	Fx	Fy	Fz	Mx	My	Mz
SUCTION 3"	2135	2669	1779	1898	949	1437
DISCHARGE 2"	1423	1779	1157	922	461	705

THESE VALUES DEVELOPED FROM FORCES AND MOMENTS LIMITS AS ESTABLISHED IN API 610, 8TH EDITION



- 6 GAUGE, TEMPERATURE, 2-1/2" DIAL
- 5 GAUGE, PRESSURE, 2-1/2" DIAL
- 4 ORIFICE, MULTIPLE/SINGLE
- 3 HEAT EXCHANGER, 2 X 9, 1 PASS
- 2 VALVE, GATE, VOGT #12401, 1/2" SW, BOLTED BONNET, OS&Y, CL 800, 1975 PSI @ 100°F
- 1 VALVE, GATE, VOGT #12401, 1" SW, BOLTED BONNET, OS&Y, CL 800, 1975 PSI @ 100°F

### CUSTOMER INFORMATION

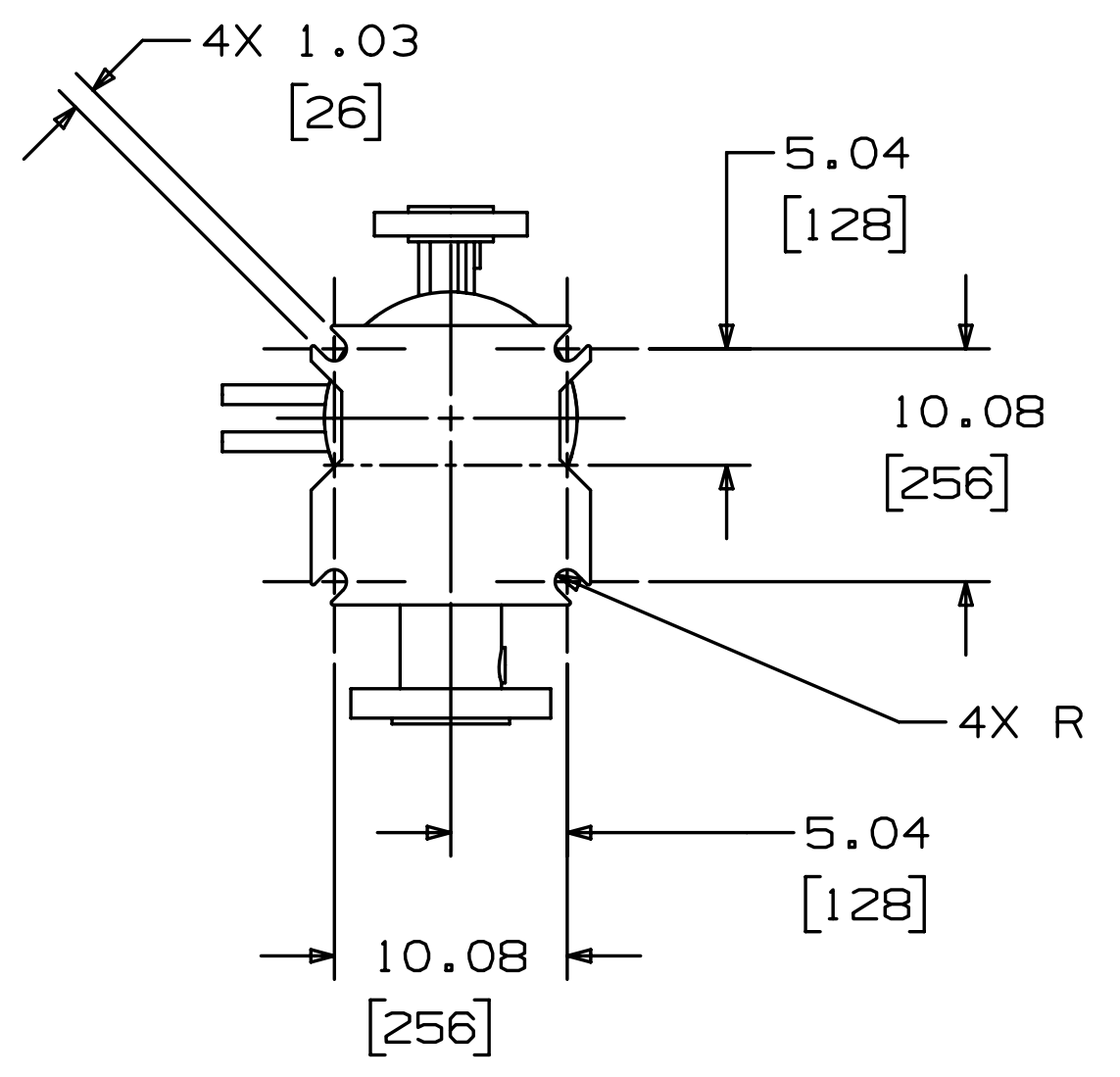
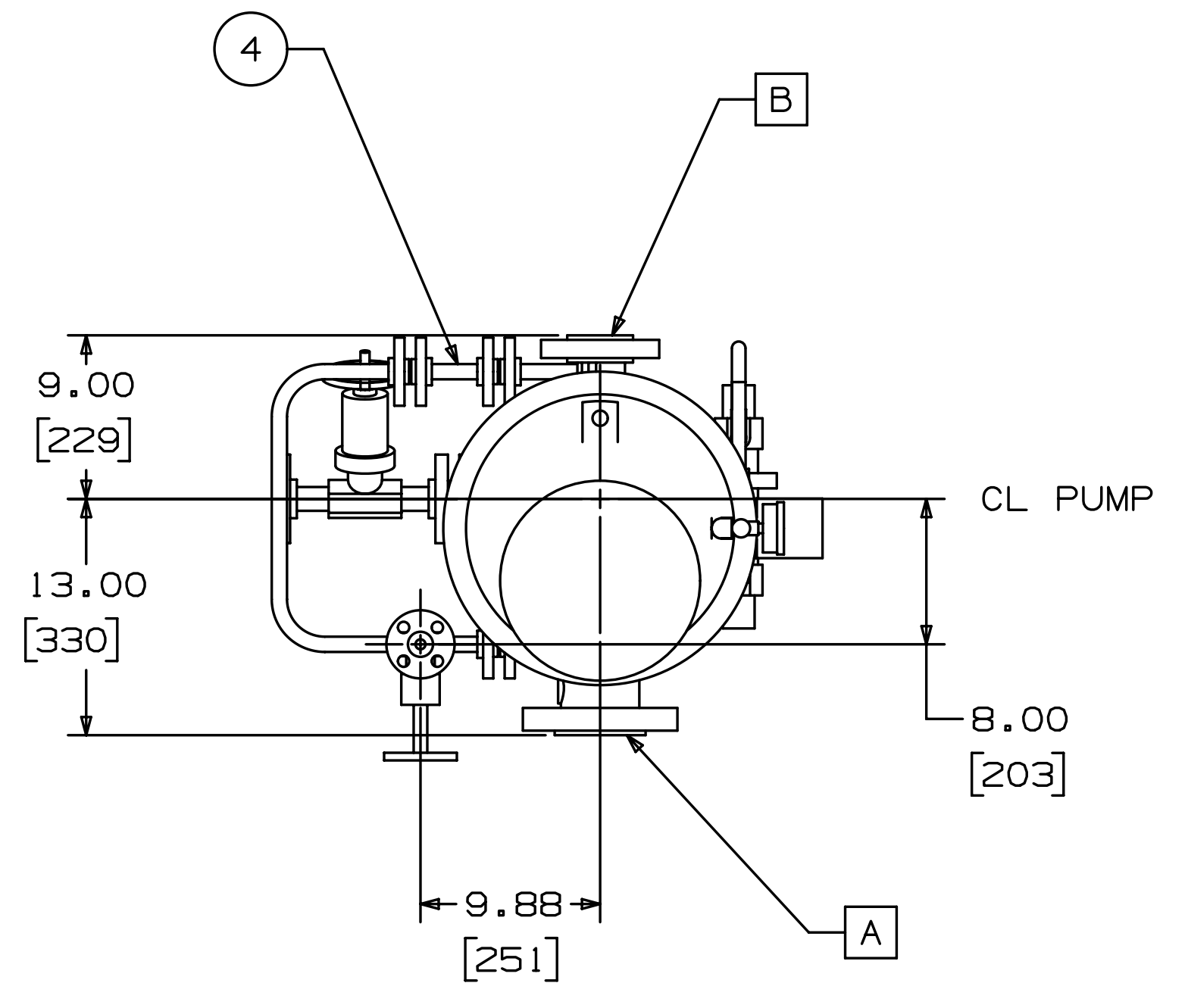
CUSTOMER : \_\_\_\_\_  
 INQUIRY/P.O. NO. : \_\_\_\_\_  
 QUOTE NO. : \_\_\_\_\_  
 ITEM NO. : \_\_\_\_\_  
 SALES OFFICE NO. : \_\_\_\_\_  
 DATE : \_\_\_\_\_

ITEM DESCRIPTION

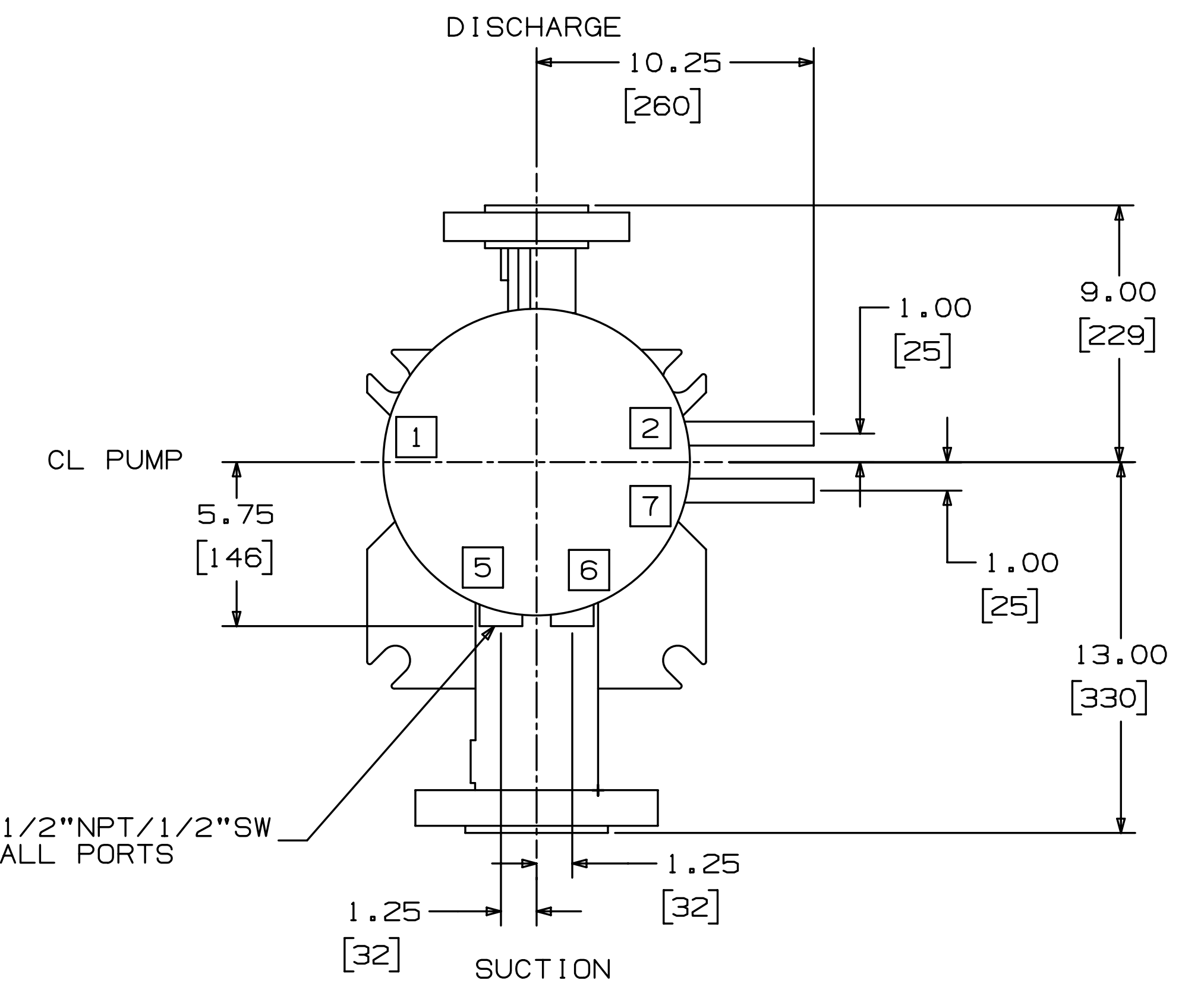
MATERIAL	DWN L. WEBER	11/15/01	 14845 WEST 84th AVENUE, ARVING, COLORADO, 80007, U.S.A. www.sundyne.com	
PROJ				
MFG				
			LMV-322, GEAR BOX HX, API PLAN 11 (PIPING), VENT & DRAIN	
		SCALE 1/8"	SIZE D	PR11AB01
		WT:ACTL	CALC	SHEET 1 OF 2

MODEL LMV-322

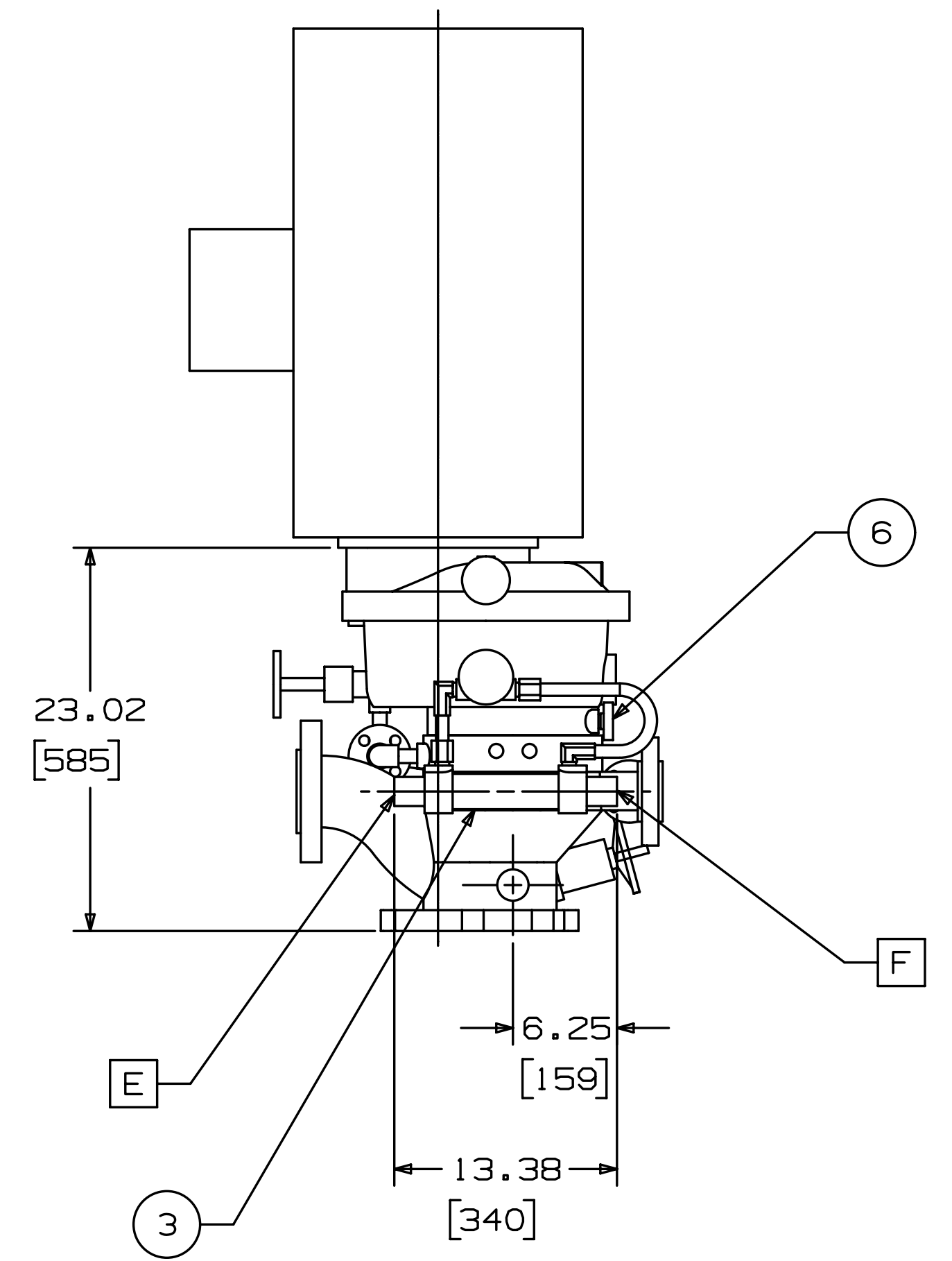
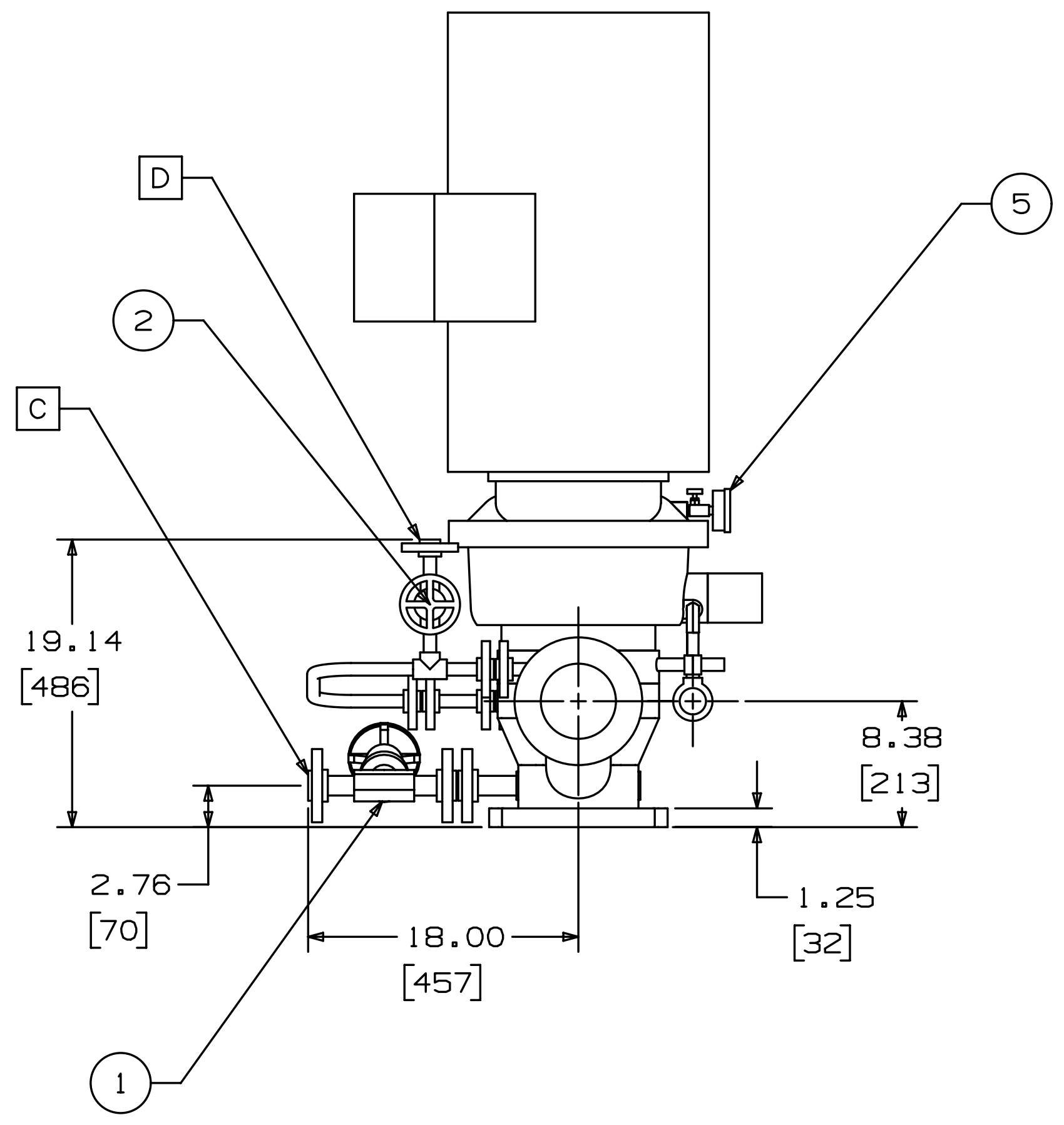
THIS DOCUMENT CONTAINS PROPRIETARY INFORMATION OF SUNDYNE CORPORATION. NEITHER RECEIPT NOR POSSESSION THEREOF CONFERS ANY RIGHT TO REPRODUCE, OR USE, OR DISCLOSE, IN WHOLE OR IN PART, ANY SUCH INFORMATION WITHOUT WRITTEN AUTHORIZATION FROM SUNDYNE CORPORATION.



FLANGED MTG BASE  
(BOTTOM VIEW)



PORT LOCATIONS  
(TOP VIEW)



CUSTOMER CONNECTIONS

- A PUMP SUCTION  
3"-600#RF  
FLANGE
- B PUMP DISCHARGE  
2"-600#RF  
FLANGE
- C PUMP CASE DRAIN  
1"-600#RF, SW  
FLANGE
- D PUMP SEAL VENT  
1/2"-600#RF, SW  
FLANGE
- E HEAT EXCHANGER  
COOLANT IN  
1"NPT
- F HEAT EXCHANGER  
COOLANT OUT  
1"NPT

LMV-322, GEAR BOX HX, API PLAN 11 (PIPING), VENT & DRAIN		
SIZE D	PR11AB01	REV
SCALE 1/8"	WT:ACTL	SHEET 2 OF 2