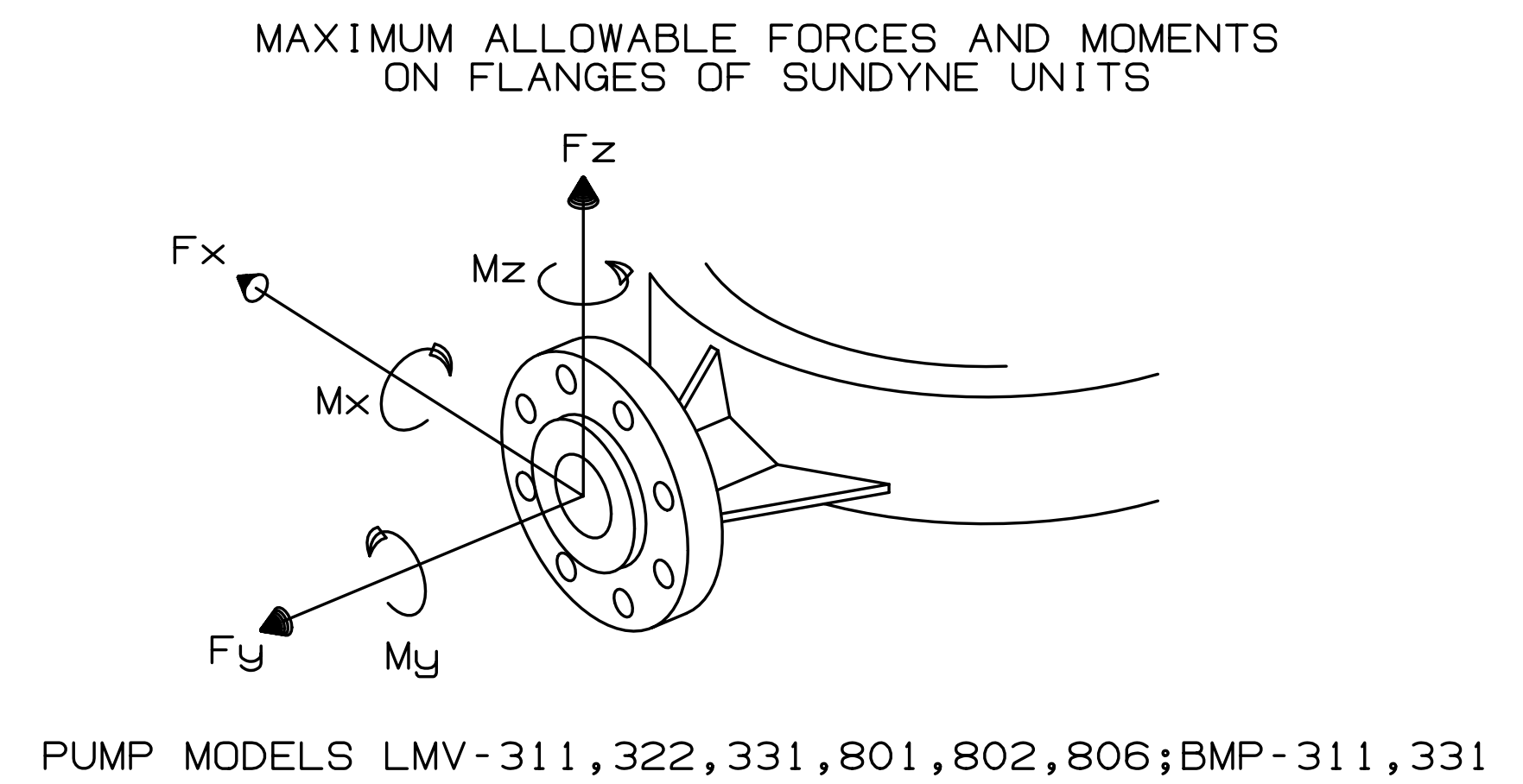


THIS DOCUMENT CONTAINS PROPRIETARY INFORMATION OF SUNDYNE CORPORATION. NEITHER RECEIPT NOR POSSESSION THEREOF CONFERS ANY RIGHT TO REPRODUCE, OR USE, OR DISCLOSE, IN WHOLE OR IN PART, ANY SUCH INFORMATION WITHOUT WRITTEN AUTHORIZATION FROM SUNDYNE CORPORATION.

DWG NO	PR11AW01	SH	1	REV	
REVISION					
DESCRIPTION					

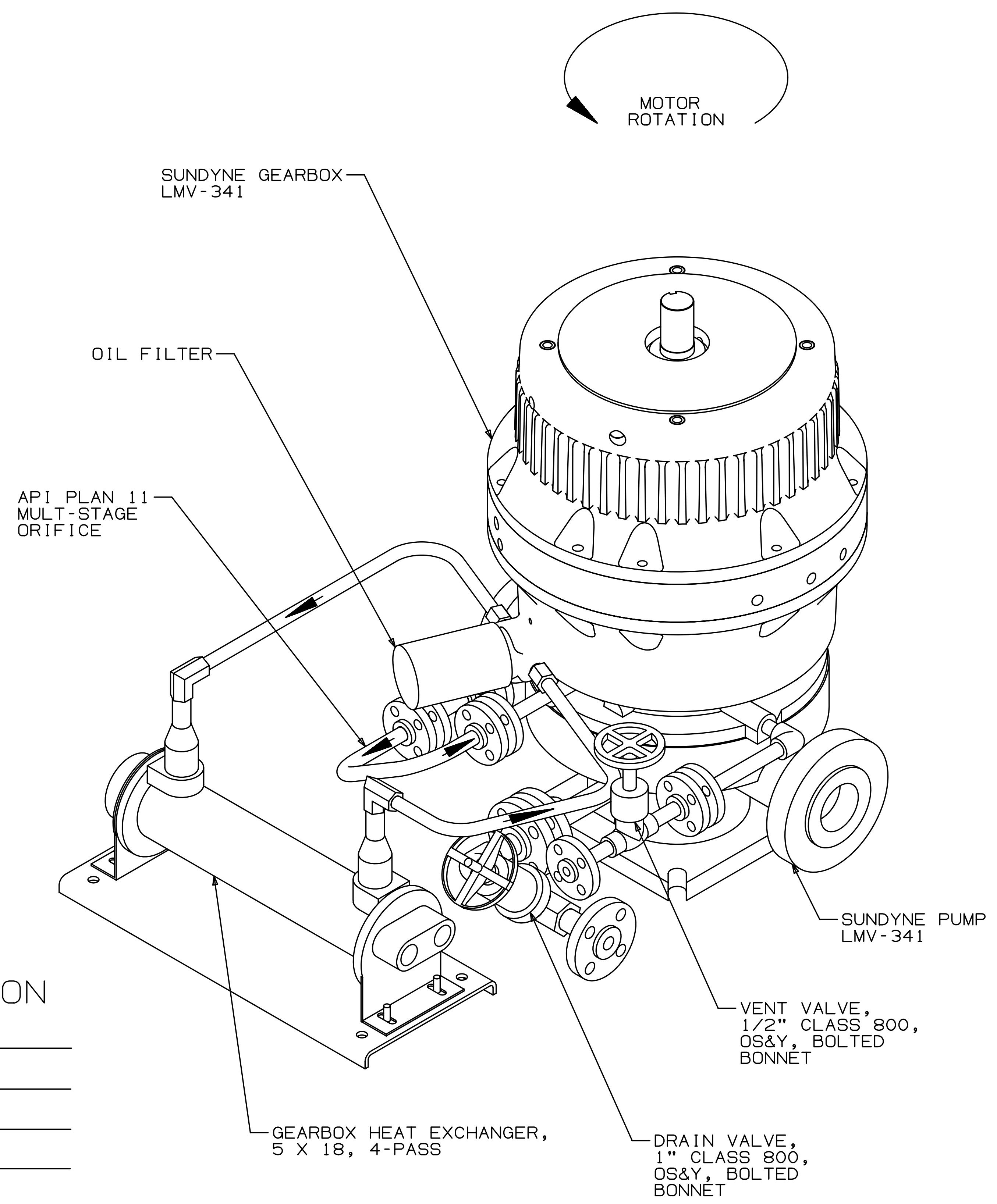
- UNLESS OTHERWISE SPECIFIED OR APPLICABLE**
- 1 DIMENSIONS IN INCHES/[mm]
 - 2 ALL PIPING CONN. ±1/4"
 - 3 WEIGHTS:
 PUMP 490 LBS/222 KG
 GEARBOX 320 LBS/145 KG
 MISC. 200 LBS/ 91 KG
 TOTAL 1010 LBS/458 KG
 - 4 NOTE: THIS PROPOSAL DWG IS INTENDED FOR USE OF EQUIPMENT AS SPECIFIED IN "TITLE BLOCK" ONLY. OTHER EQUIPMENT SUCH AS SUCH AS MOTOR, GAUGES, MATERIAL WILL BE SPECIFIED AND DIMENSIONED AS REQUIRED ON THE CUSTOMER OUTLINE DRAWING.



FLANGES	FORCES = LBF			MOMENTS = FT-LBF		
	Fx	Fy	Fz	Mx	My	Mz
SUCTION 3"	480	600	400	1400	700	1060
DISCHARGE 2"	320	400	260	680	340	520

FLANGES	FORCES = NEWTON			MOMENTS = NEWTON METER		
	Fx	Fy	Fz	Mx	My	Mz
SUCTION 3"	2135	2669	1779	1898	949	1437
DISCHARGE 2"	1423	1779	1157	922	461	705

THESE VALUES DEVELOPED FROM FORCES AND MOMENTS LIMITS AS ESTABLISHED IN API 610, 8TH EDITION



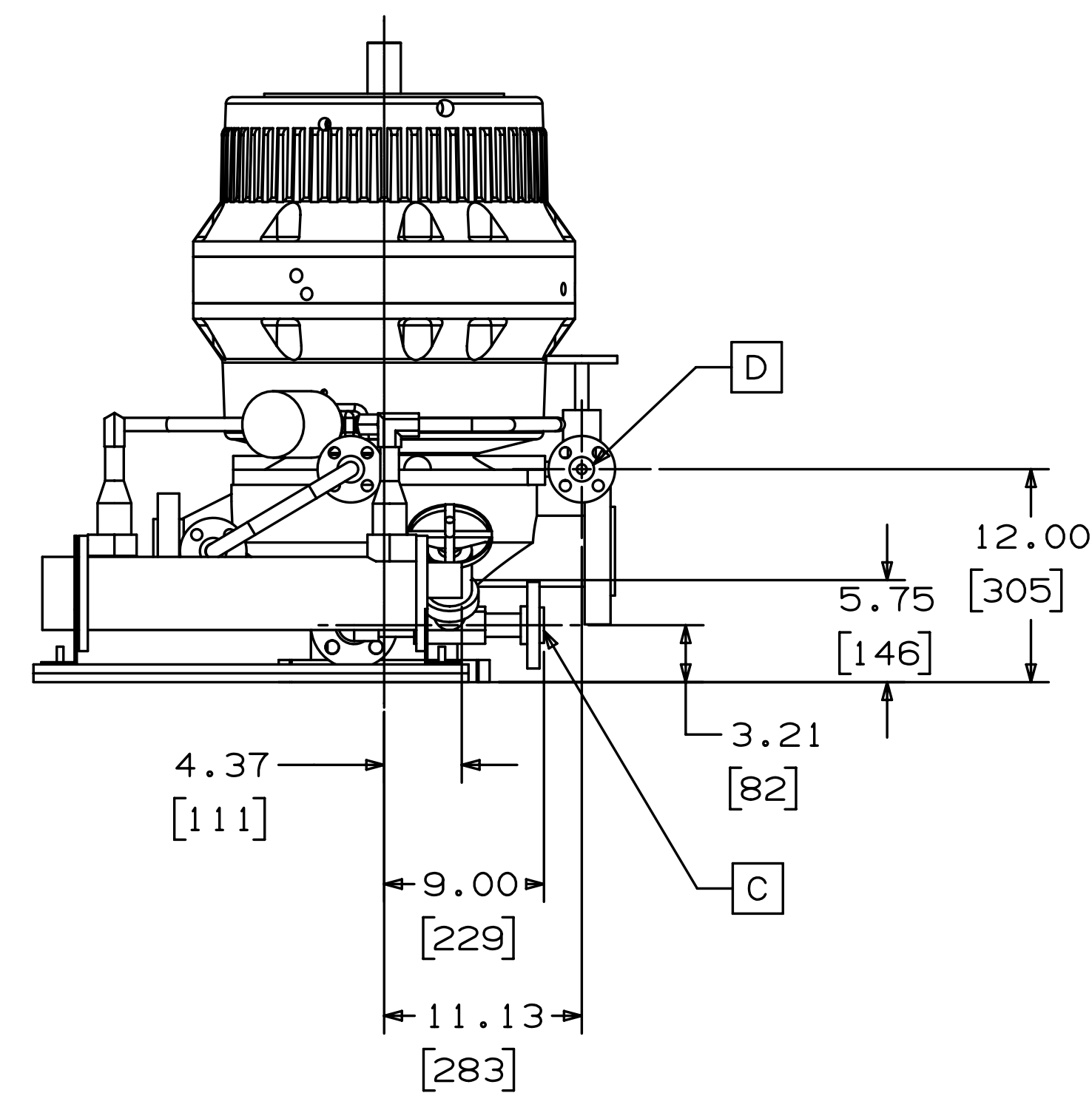
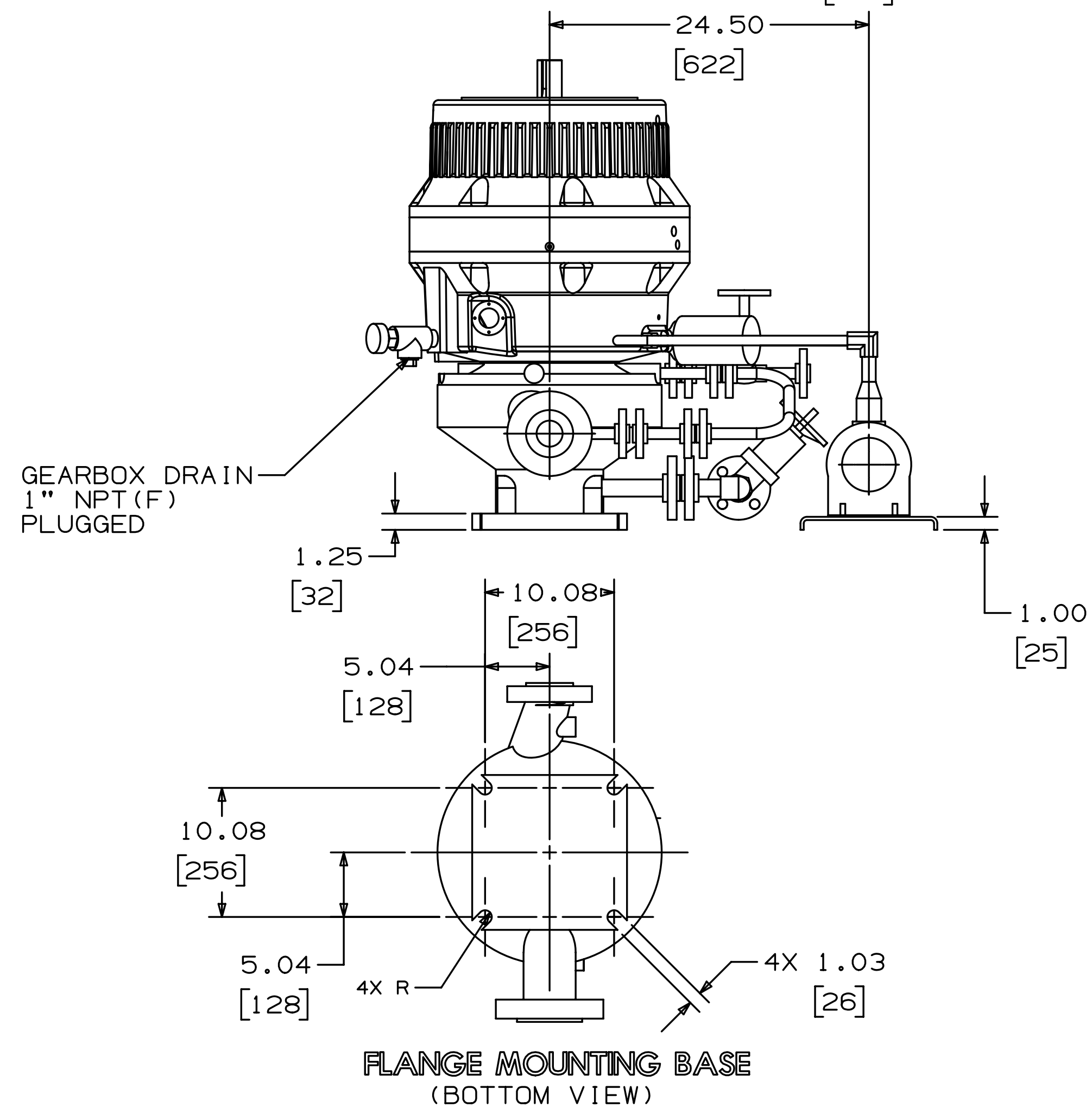
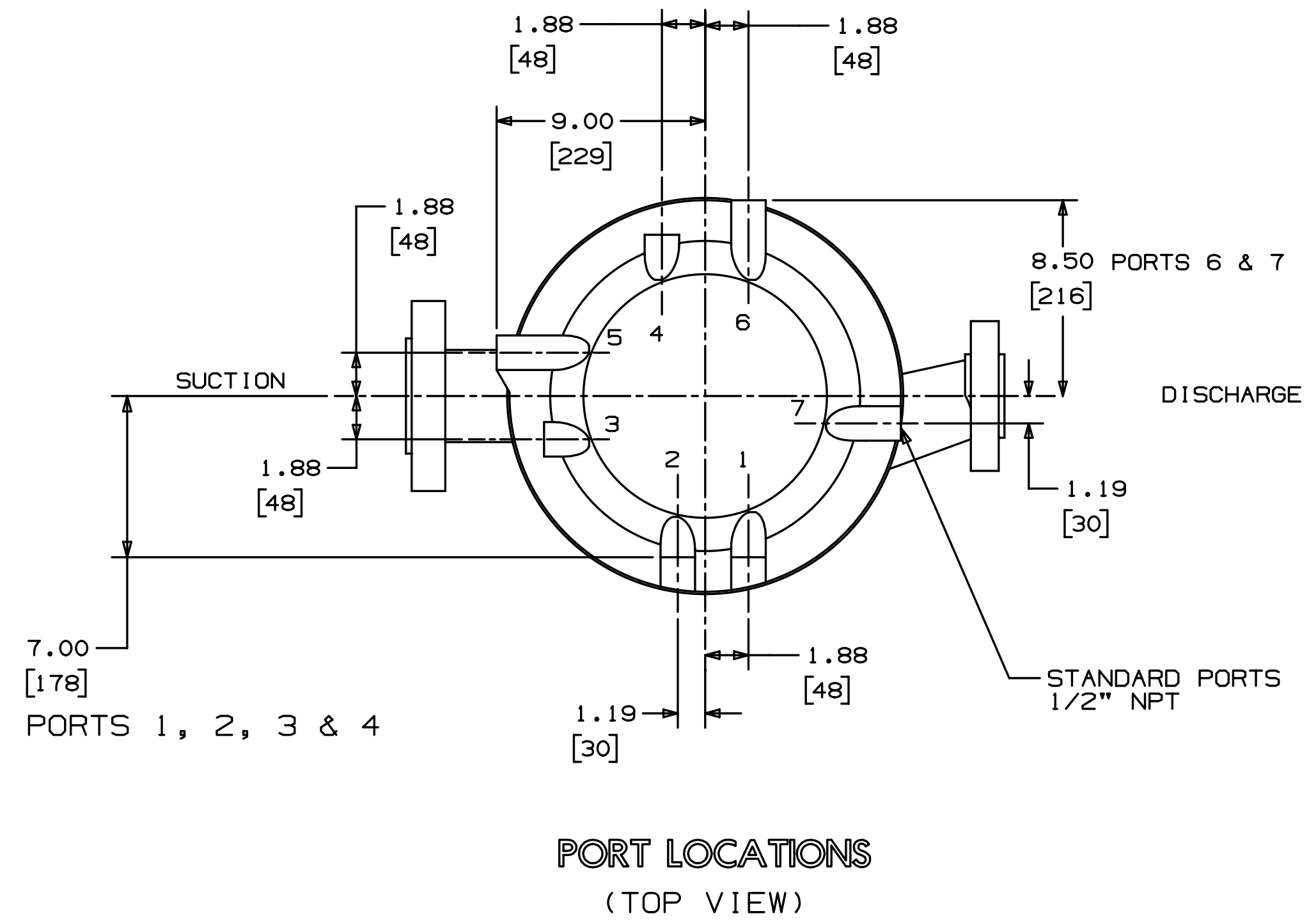
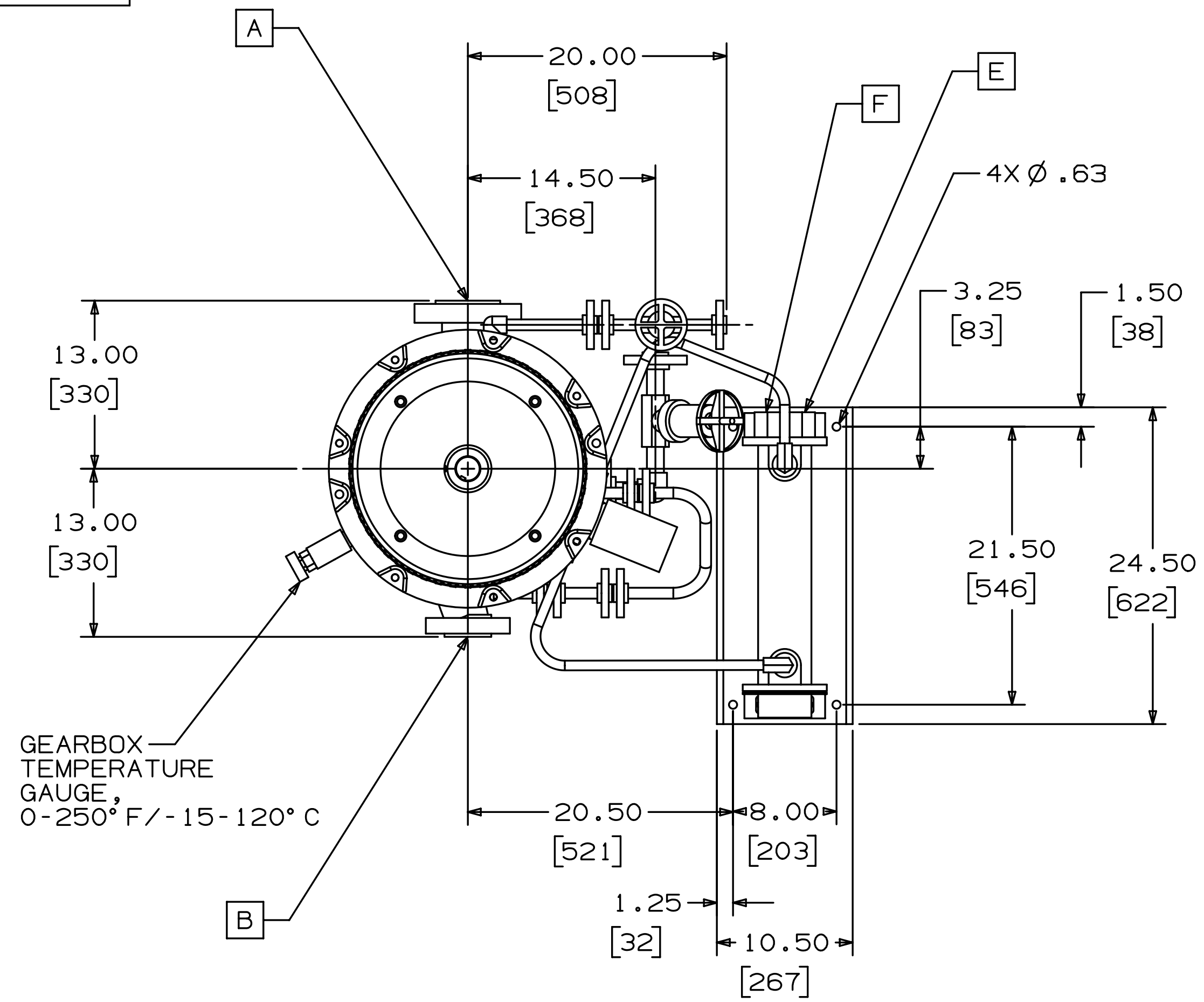
CUSTOMER INFORMATION

CUSTOMER : _____
 INQUIRY/P.O. NO. : _____
 QUOTE NO. : _____
 ITEM NO. : _____
 SALES OFFICE : _____
 DATE : _____

MATERIAL	DWN	L. WEBER	11/15/01	 <small>14845 WEST 84th AVENUE, ARVING, COLORADO, 80007, U.S.A. www.sundyne.com</small>	
PER ME02AA01	PROJ				
	MFG			LMV-341, API PLAN 11(PIPING) VENT & DRAIN	
					PR11AW01
				SCALE 1/4" N/A	WT:ACTL CALC SHEET 1 OF 2

MODEL LMV-341

THIS DOCUMENT CONTAINS PROPRIETARY INFORMATION OF SUNDYNE CORPORATION. NEITHER RECEIPT NOR POSSESSION THEREOF CONFERS ANY RIGHT TO REPRODUCE, OR USE, OR DISCLOSE, IN WHOLE OR IN PART, ANY SUCH INFORMATION WITHOUT WRITTEN AUTHORIZATION FROM SUNDYNE CORPORATION.



CUSTOMER CONNECTIONS

- A PUMP SUCTION, 3"-600# RF
- B PUMP DISCHARGE, 2"-600# RF
- C PUMP CASE DRAIN, 1"-600# RF
- D PUMP SEAL VENT, 1/2"-600# RF
- E HEAT EXCHANGER COOLANT IN, 1-1/2" NPT (F)
- F HEAT EXCHANGER COOLANT OUT, 1-1/2" NPT (F)

LMV-341, API PLAN 11 (PIPING), VENT & DRAIN			
SIZE D	PR11AW01	REV	
SCALE 1/8"	WT:ACTL	CALC	SHEET 2 OF 2