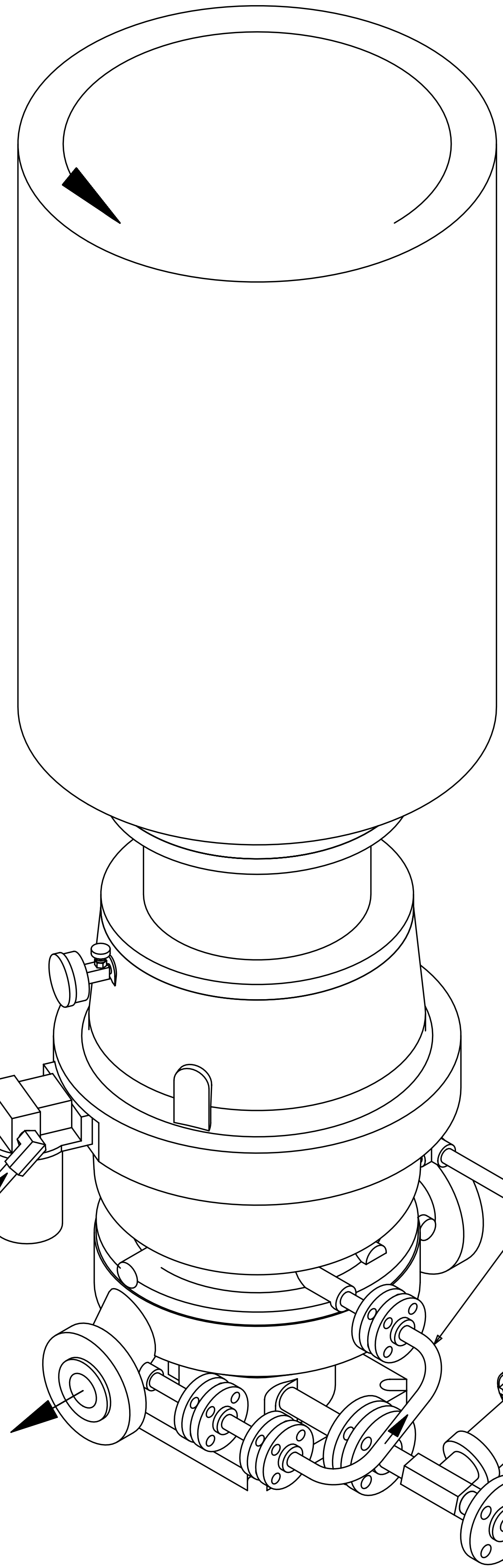


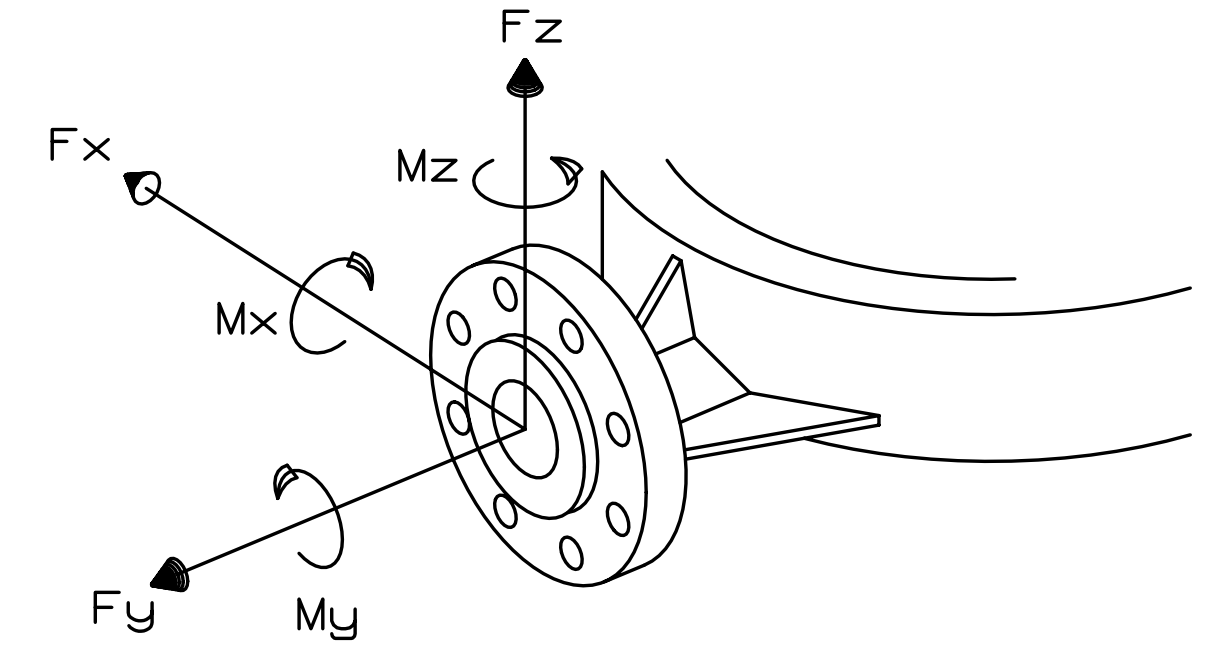
THIS DOCUMENT CONTAINS PROPRIETARY INFORMATION OF SUNDYNE CORPORATION. NEITHER RECEIPT NOR POSSESSION THEREOF CONFERS ANY RIGHT TO REPRODUCE, OR USE, OR DISCLOSE, IN WHOLE OR IN PART, ANY SUCH INFORMATION WITHOUT WRITTEN AUTHORIZATION FROM SUNDYNE CORPORATION.

REVISION	
NO	DESCRIPTION

- UNLESS OTHERWISE SPECIFIED OR APPLICABLE**
- 1 DIMENSIONS IN INCHES (mm)
 - 2 ALL PIPING CONN. ± 1/4"
 - 3 WEIGHTS:
PUMP 490 LBS/222 KG
GEARBOX 270 LBS/122 KG
MISC 200 LBS/ 90 KG
MOTOR LBS/ KG
 - TOTAL
 - 4 STANDARD MOTOR COUPLING:
FALK TYPE FDC10
NON-LUBRICATED
301 SST DISC PACKS
 - OPTIONAL:
REX-THOMAS
FLEXIBOX (METASTREAM INC)
KOP-FLEX & OTHERS
 - 5 NOTE: THIS PROPOSAL DWG IS INTENDED FOR USE OF EQUIPMENT AS SPECIFIED IN "TITLE BLOCK" ONLY. OTHER EQUIPMENT SUCH AS MOTOR, GAUGES & MATERIAL WILL BE SPECIFIED AND DIMENSIONED AS REQUIRED ON CUSTOMER DRAWING.



MAXIMUM ALLOWABLE FORCES AND MOMENTS ON FLANGES OF SUNDYNE UNITS



PUMP MODELS LMV-311, 322, 331, 801, 802, 806; BMP-311, 331

FORCES = LBF MOMENTS = FT-LBF

FLANGES	Fx	Fy	Fz	Mx	My	Mz
SUCTION 3"	480	600	400	1400	700	1060
DISCHARGE 2"	320	400	260	680	340	520

FORCES = NEWTON MOMENTS = NEWTON METER

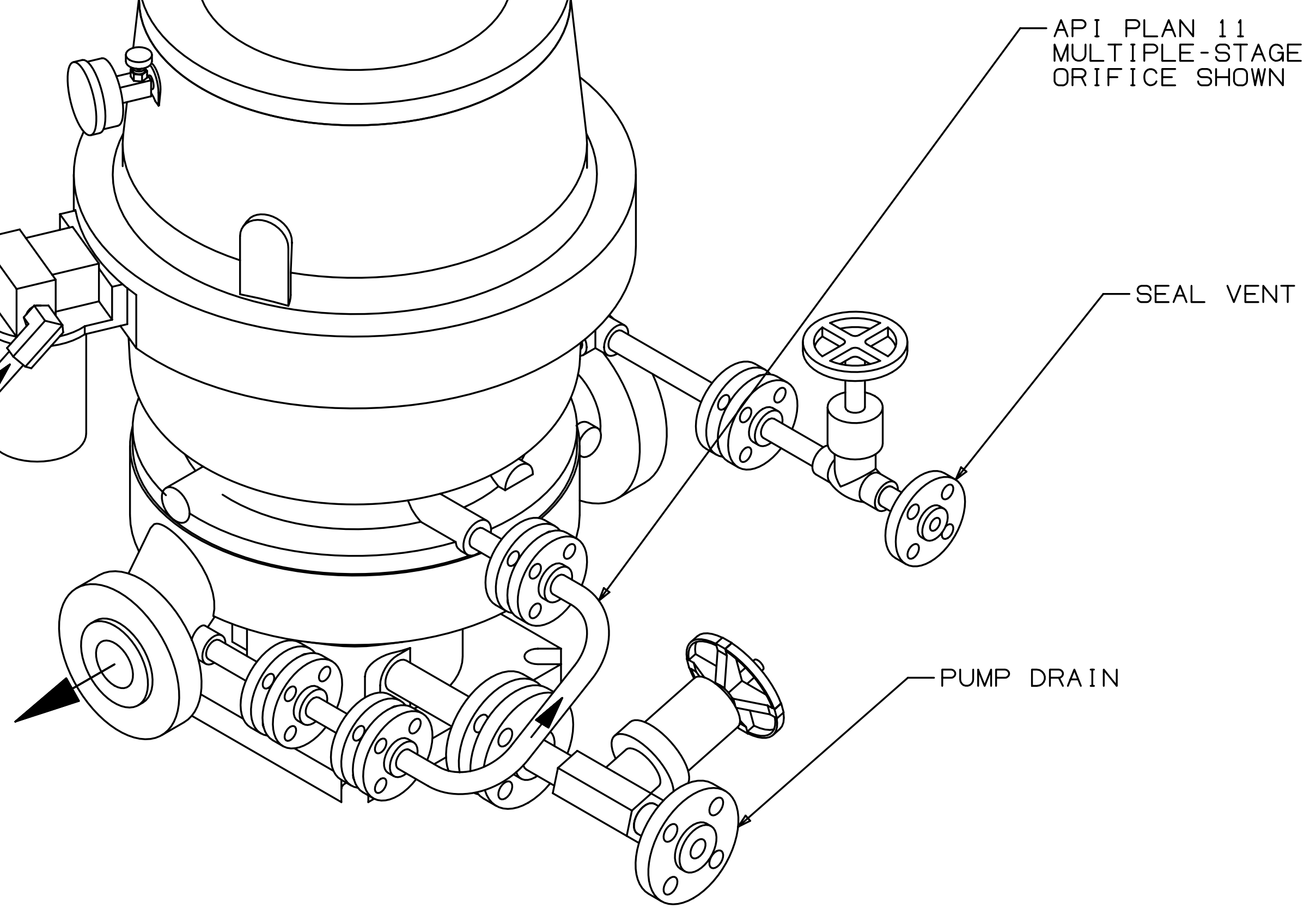
FLANGES	Fx	Fy	Fz	Mx	My	Mz
SUCTION 3"	2135	2669	1779	1898	949	1437
DISCHARGE 2"	1423	1779	1157	922	461	705

THESE VALUES DEVELOPED FROM FORCES AND MOMENTS LIMITS AS ESTABLISHED IN API 610, 8TH EDITION

- 6 GAUGE, TEMPERATURE, 2-1/2" DIAL
 - 5 GAUGE, PRESSURE, 2-1/2" DIAL
 - 4 ORIFICE, MULTIPLE/SINGLE
 - 3 HEAT EXCHANGER, 2 X 9, 1 PASS
 - 2 VALVE, GATE, VOGT #12401, 1/2" SW, BOLTED BONNET, OS&Y, CL 800, 1975 PSI @ 100° F
 - 1 VALVE, GATE, VOGT #12401.1" SW, BOLTED BONNET, OS&Y, CL 800, 1975 PSI @ 100° F
- ITEM DESCRIPTION

CUSTOMER INFORMATION

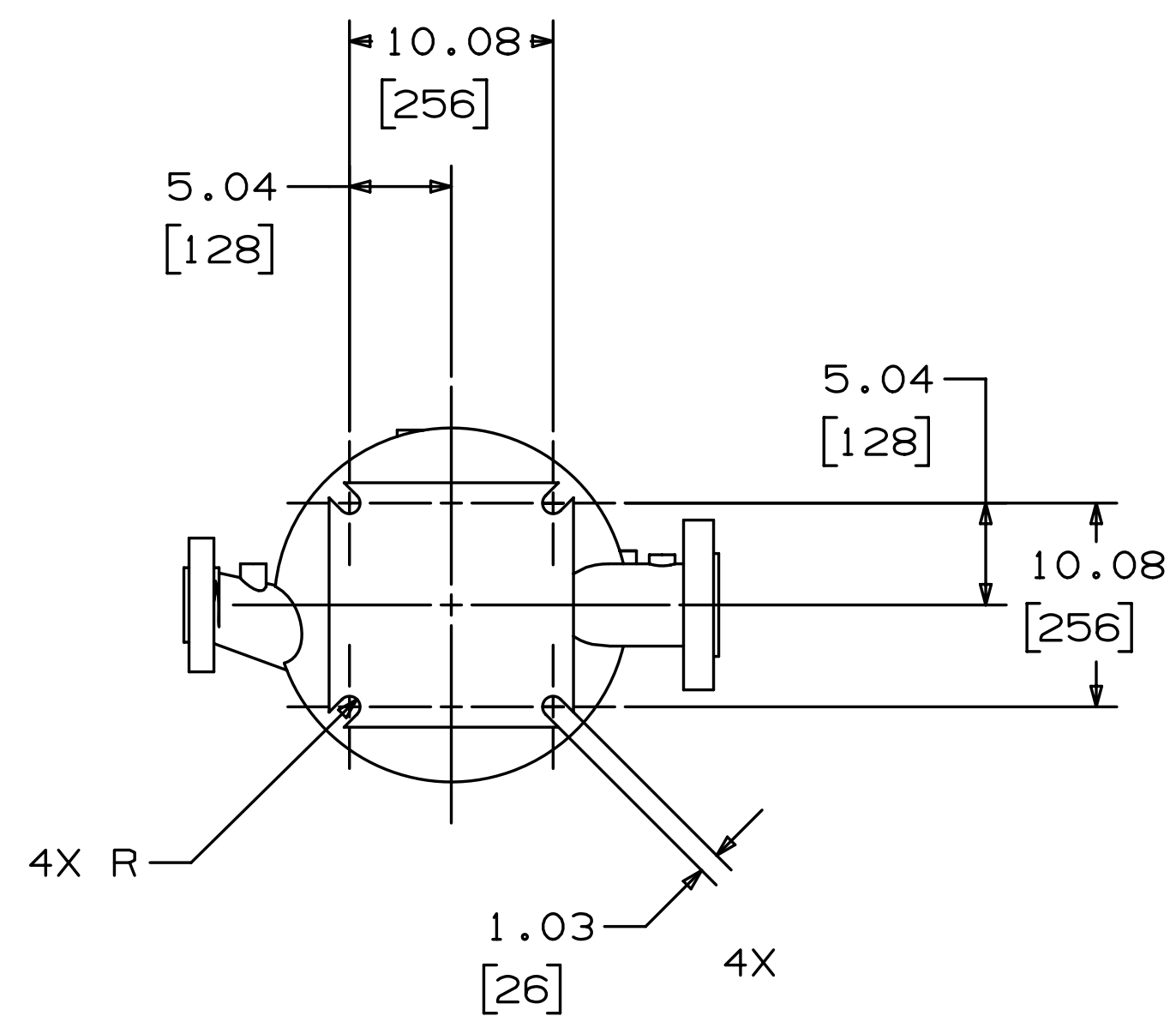
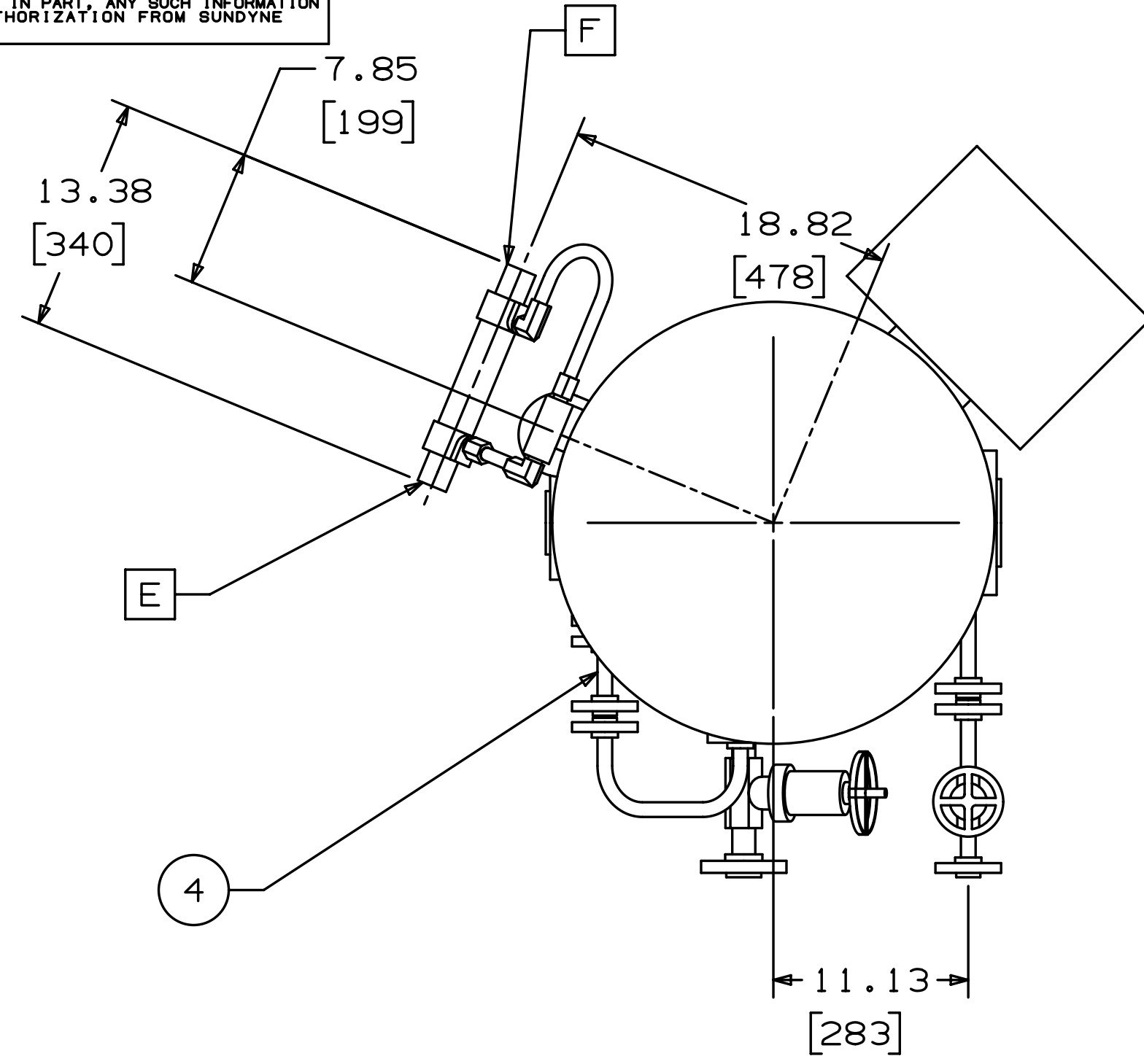
CUSTOMER : _____
 INQUIRY/P.O. NO. : _____
 QUOTE NO. : _____
 ITEM NO. : _____
 SALES OFFICE : _____
 DATE : _____



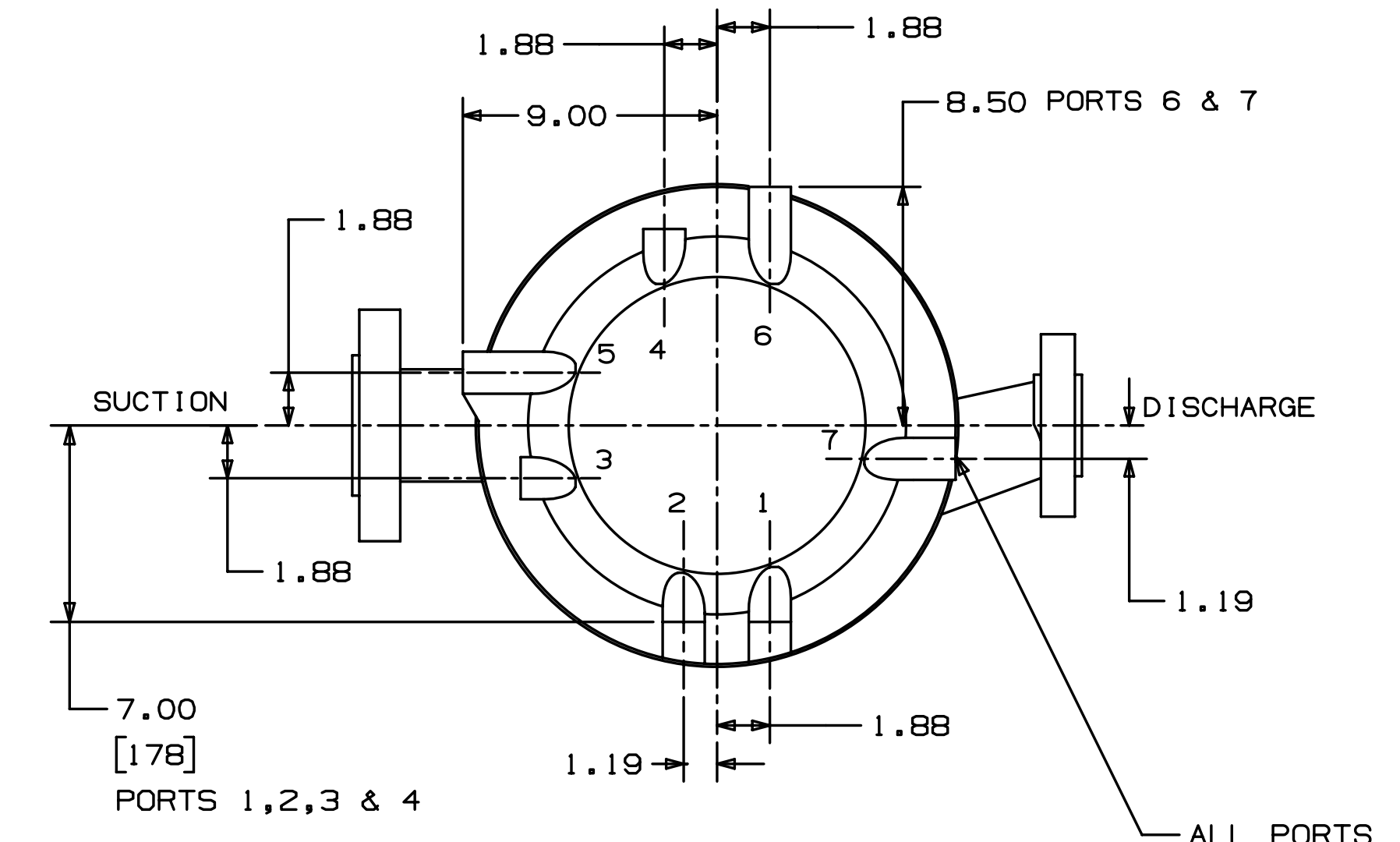
MATERIAL	DWN L. WEBER 11/15/01	<p>14845 WEST 84th AVENUE, ARVING, COLORADO, 80007, U.S.A. www.sundyne.com</p>
PROJ		
MFG		
SCALE 1/8" = ACTUAL WT: ACTL CALC SHEET 1 OF 2		MODEL LMV-311 GEAR BOX HX, API PLAN 11 (PIPING), VENT & DRAIN
SIMILAR TO		N/A

MODEL LMV-311

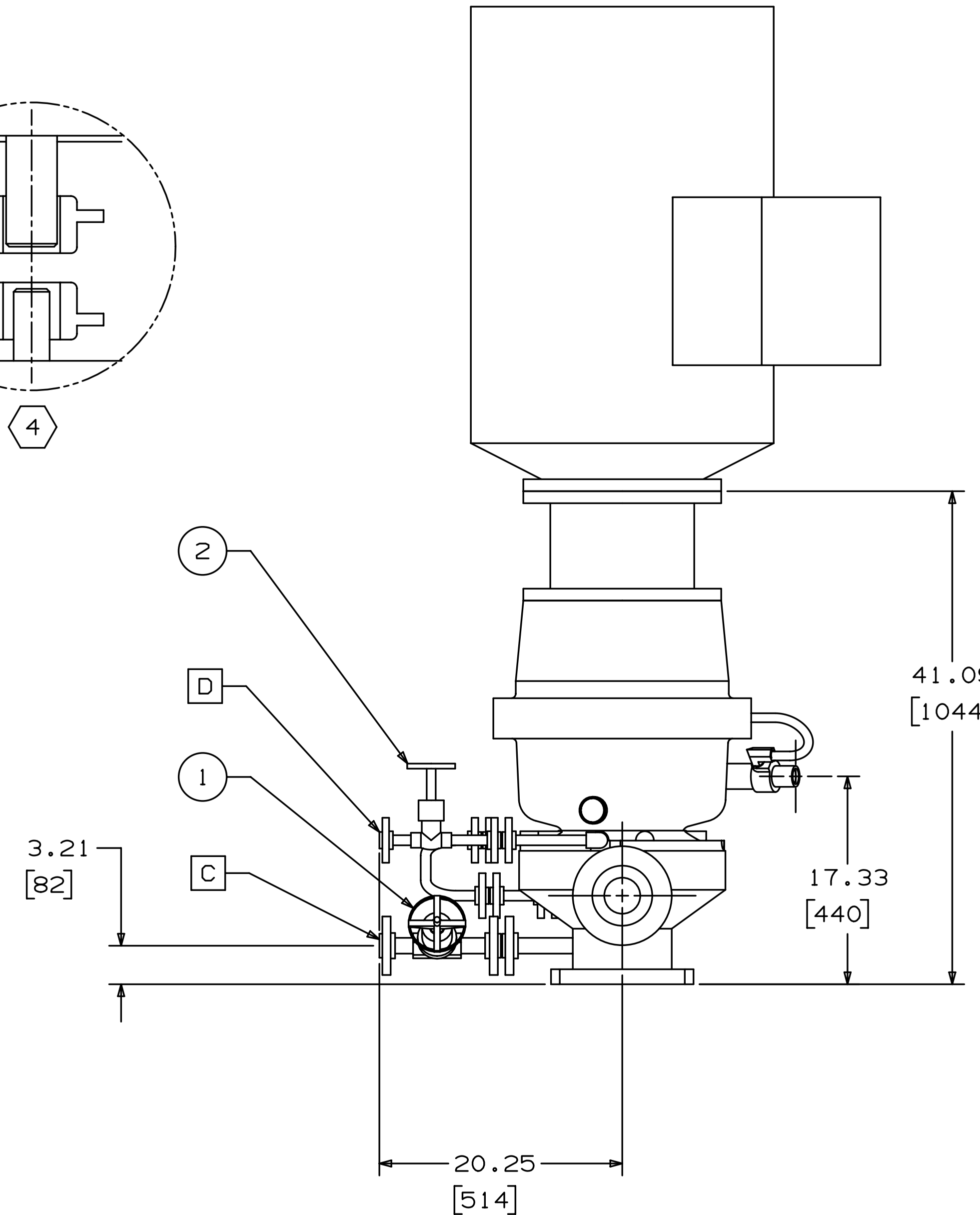
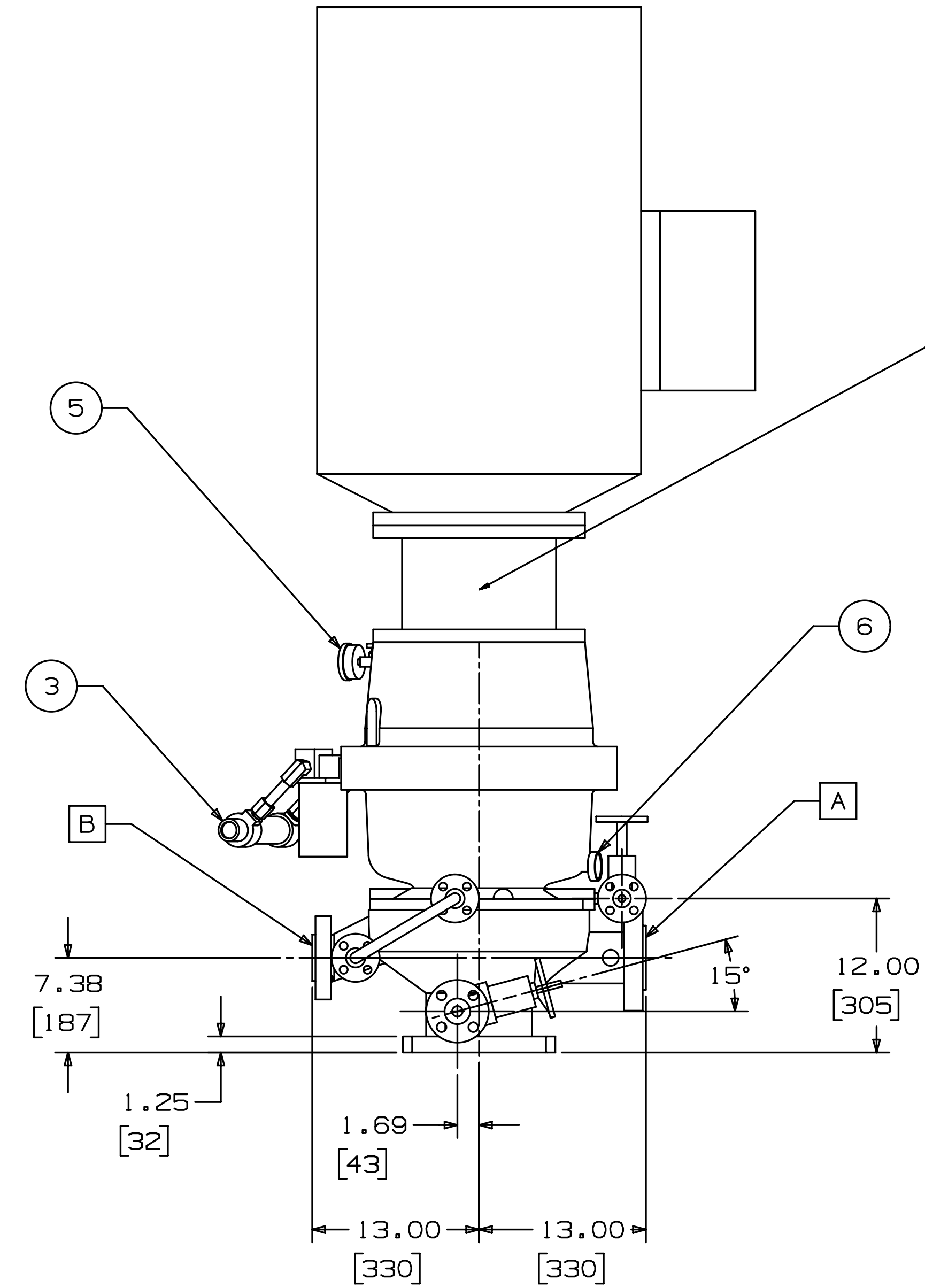
THIS DOCUMENT CONTAINS PROPRIETARY INFORMATION OF SUNDYNE CORPORATION. NEITHER RECEIPT NOR POSSESSION THEREOF CONFERS ANY RIGHT TO REPRODUCE, OR USE, OR DISCLOSE, IN WHOLE OR IN PART, ANY SUCH INFORMATION WITHOUT WRITTEN AUTHORIZATION FROM SUNDYNE CORPORATION.



FLANGED MOUNTING BASE
(BOTTOM VIEW)



PORT LOCATIONS
(TOP VIEW)



CUSTOMER CONNECTIONS

- A PUMP SUCTION, 3"-600#RF FLANGE
- B PUMP DISCHARGE, 2"-600#RF FLANGE
- C PUMP CASE DRAIN, 1"-600#RF, SW FLANGE
- D PUMP SEAL VENT, 1/2"-600#RF, SW FLANGE
- E HEAT EXCHANGER, COOLANT IN 1"NPT
- F HEAT EXCHANGER, COOLANT OUT 1"NPT

LMV-311 GEAR BOX HX, API PLAN 11 (PIPING), VENT & DRAIN		
SIZE D	PR11AA01	REV -
SCALE 1/8"	WT:ACTL	SHEET 2 OF 2