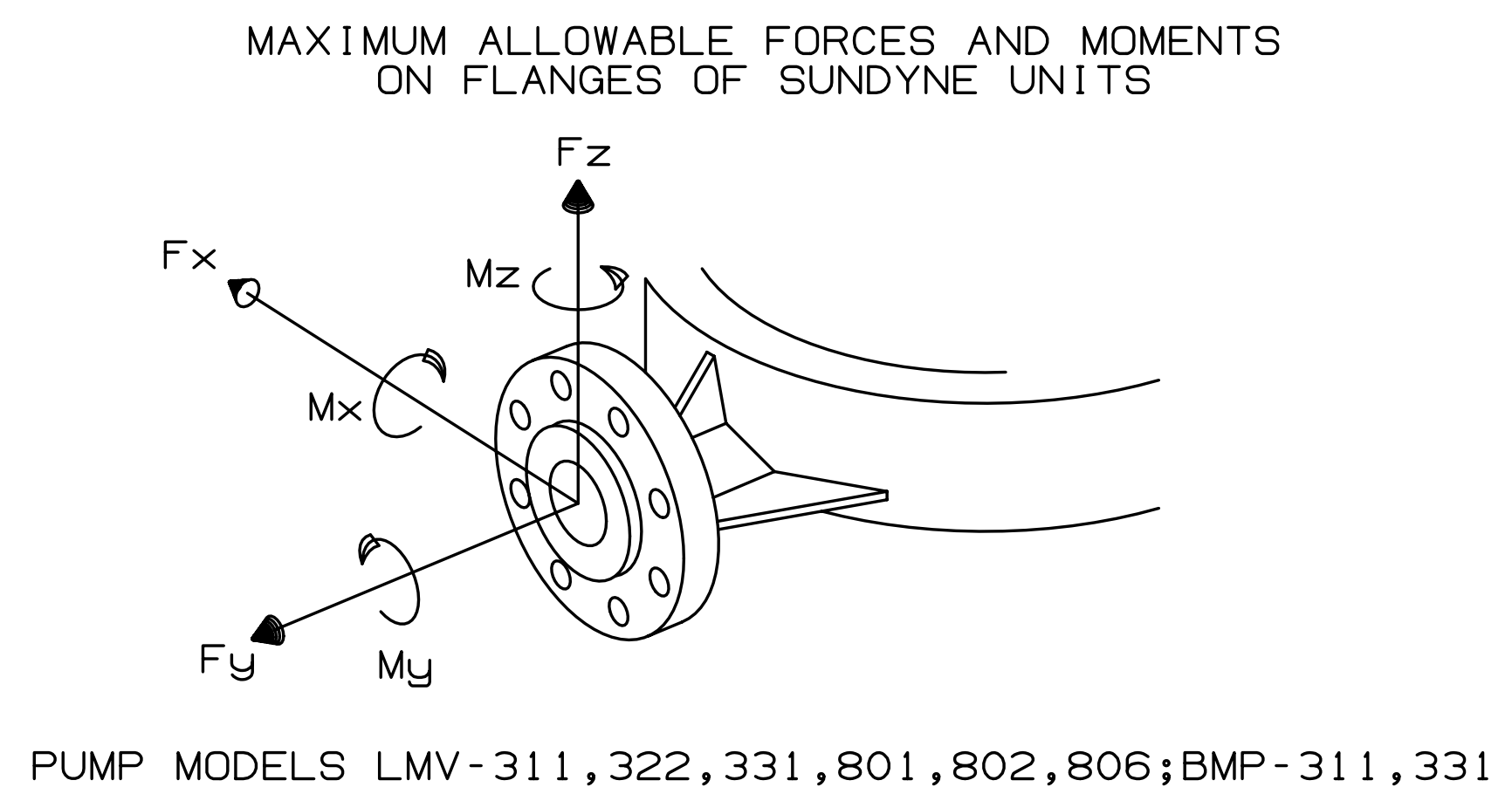
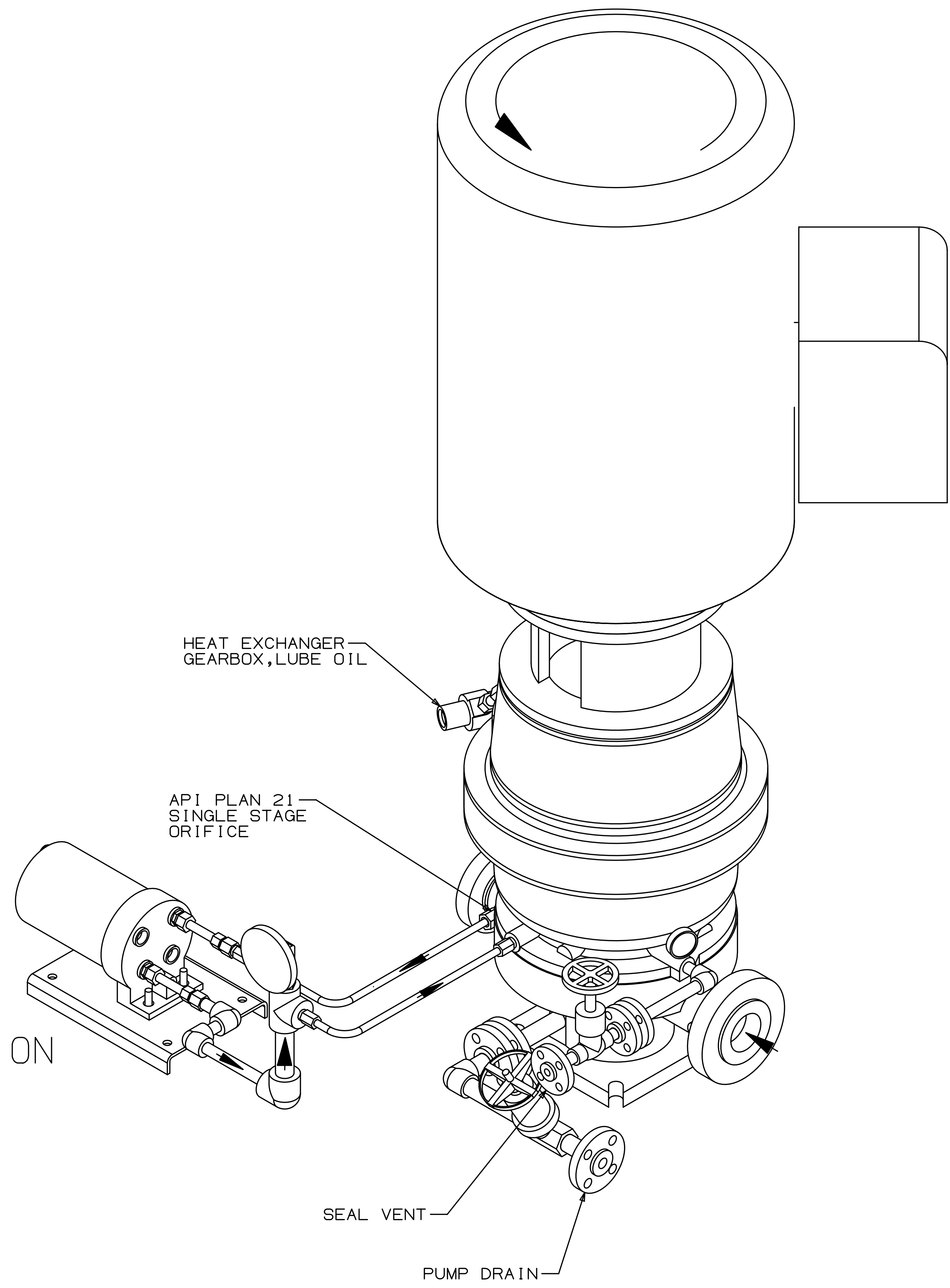


THIS DOCUMENT CONTAINS PROPRIETARY INFORMATION OF SUNDYNE CORPORATION. NEITHER RECEIPT NOR POSSESSION THEREOF CONFERS ANY RIGHT TO REPRODUCE, OR USE, OR DISCLOSE, IN WHOLE OR IN PART, ANY SUCH INFORMATION WITHOUT WRITTEN AUTHORIZATION FROM SUNDYNE CORPORATION.

No	UNLESS OTHERWISE SPECIFIED OR APPLICABLE
1	DIMENSIONS IN INCHES (mm)
2	ALL PIPING CONN. ± 1/4"
3	WEIGHTS: PUMP 490 LBS/222 KG GEARBOX 270 LBS/122 KG MISC 200 LBS/ 90 KG MOTOR LBS/ KG
4	TOTAL STANDARD MOTOR COUPLING: FALK TYPE FDC10 NON-LUBRICATED 301 SST DISC PACKS OPTIONAL: REX-THOMAS FLEXIBOX (METASTREAM INC) KOP-FLEX & OTHERS
5	NOTE: THIS PROPOSAL DWG IS INTENDED FOR USE OF EQUIPMENT AS SPECIFIED IN "TITLE BLOCK" ONLY. OTHER EQUIPMENT SUCH AS MOTOR, GAUGES AND MATERIAL WILL BE SPECIFIED AND DIMENSIONED AS REQUIRED ON CUSTOMER DRAWING.



FLANGES	FORCES = LBF			MOMENTS = FT-LBF		
	Fx	Fy	Fz	Mx	My	Mz
SUCTION 3"	480	600	400	1400	700	1060
DISCHARGE 2"	320	400	260	680	340	520

FLANGES	FORCES = NEWTON			MOMENTS = NEWTON METER		
	Fx	Fy	Fz	Mx	My	Mz
SUCTION 3"	2135	2669	1779	1898	949	1437
DISCHARGE 2"	1423	1779	1157	922	461	705

THESE VALUES DEVELOPED FROM FORCES AND MOMENTS LIMITS AS ESTABLISHED IN API 610, 8TH EDITION

ITEM	DESCRIPTION
6	GAUGE, TEMPERATURE, 5" DIAL
5	ORIFICE, MULTIPLE/SINGLE
4	HEAT EXCHANGER
3	VALVE, GATE, VOGT#SW12401, 1/2" SW, BOLTED BONNET, OS&Y
2	VALVE, GATE, VOGT#SW12401, 1" SW BOLTED BONNET, OS&Y
1	HEAT EXCHANGER, 2 X 9, 1 PASS

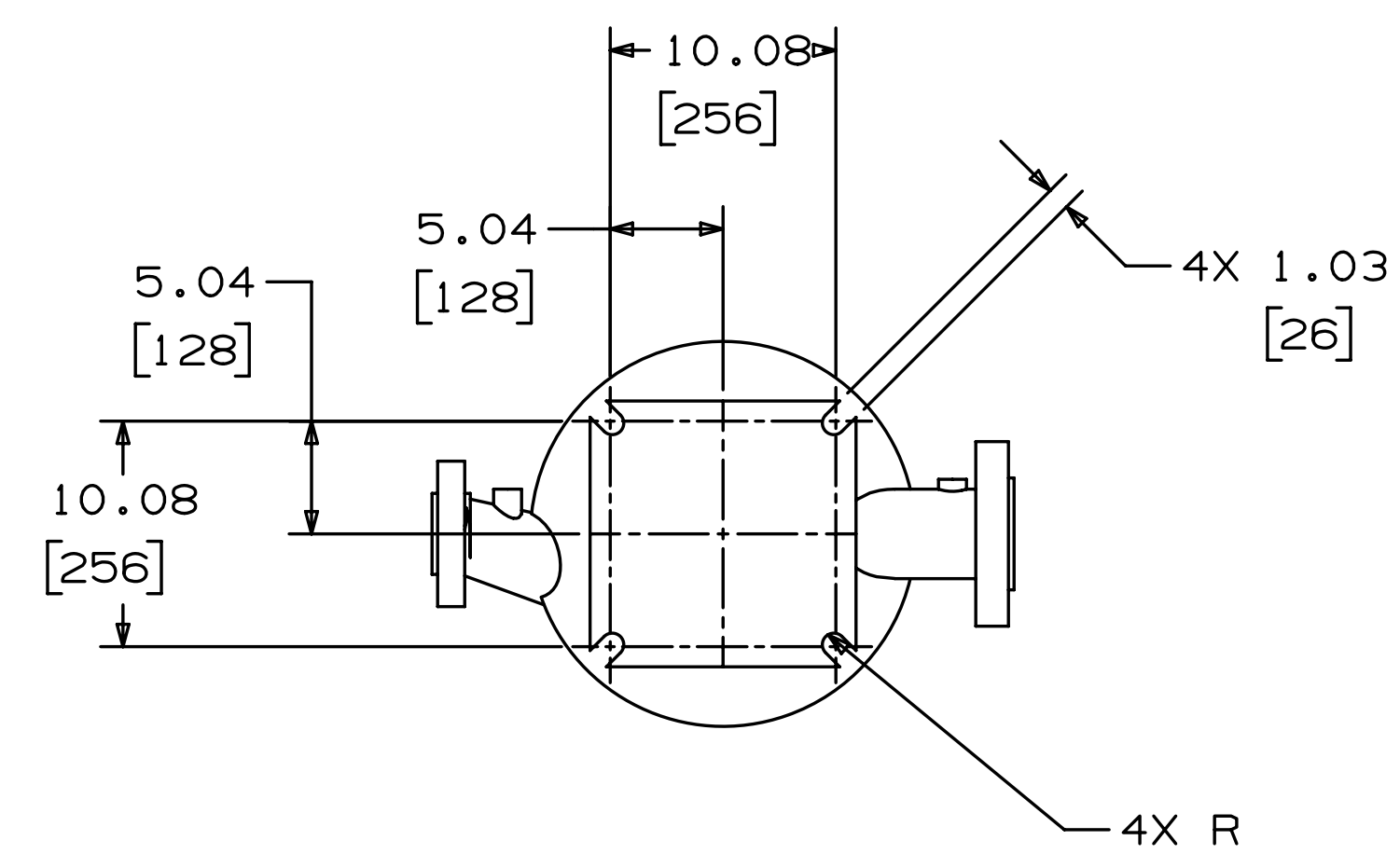
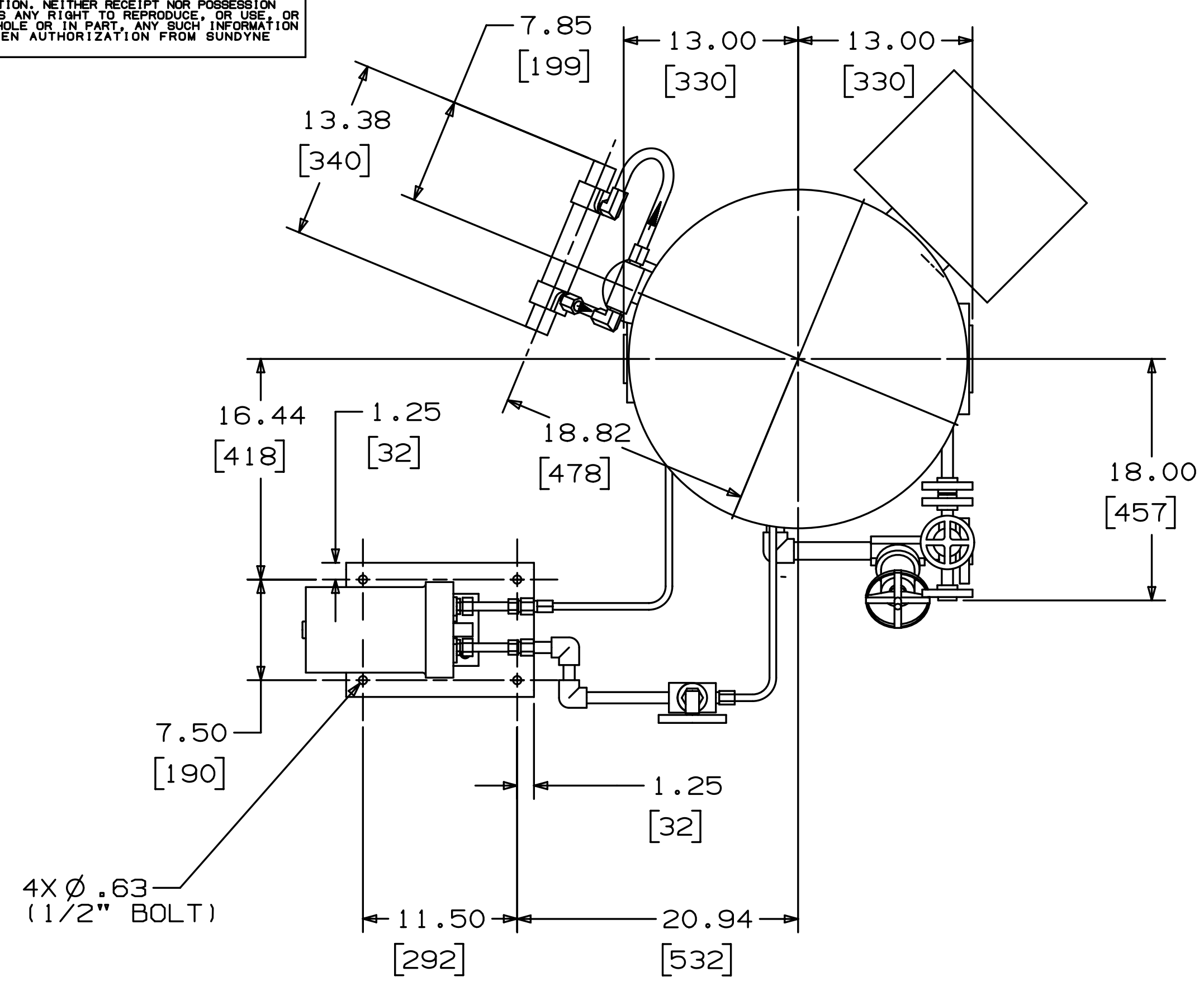
CUSTOMER INFORMATION

CUSTOMER : _____
 INQUIRY/P.O. NO. : _____
 QUOTE NO. : _____
 ITEM NO. : _____
 SALES OFFICE : _____
 DATE : _____

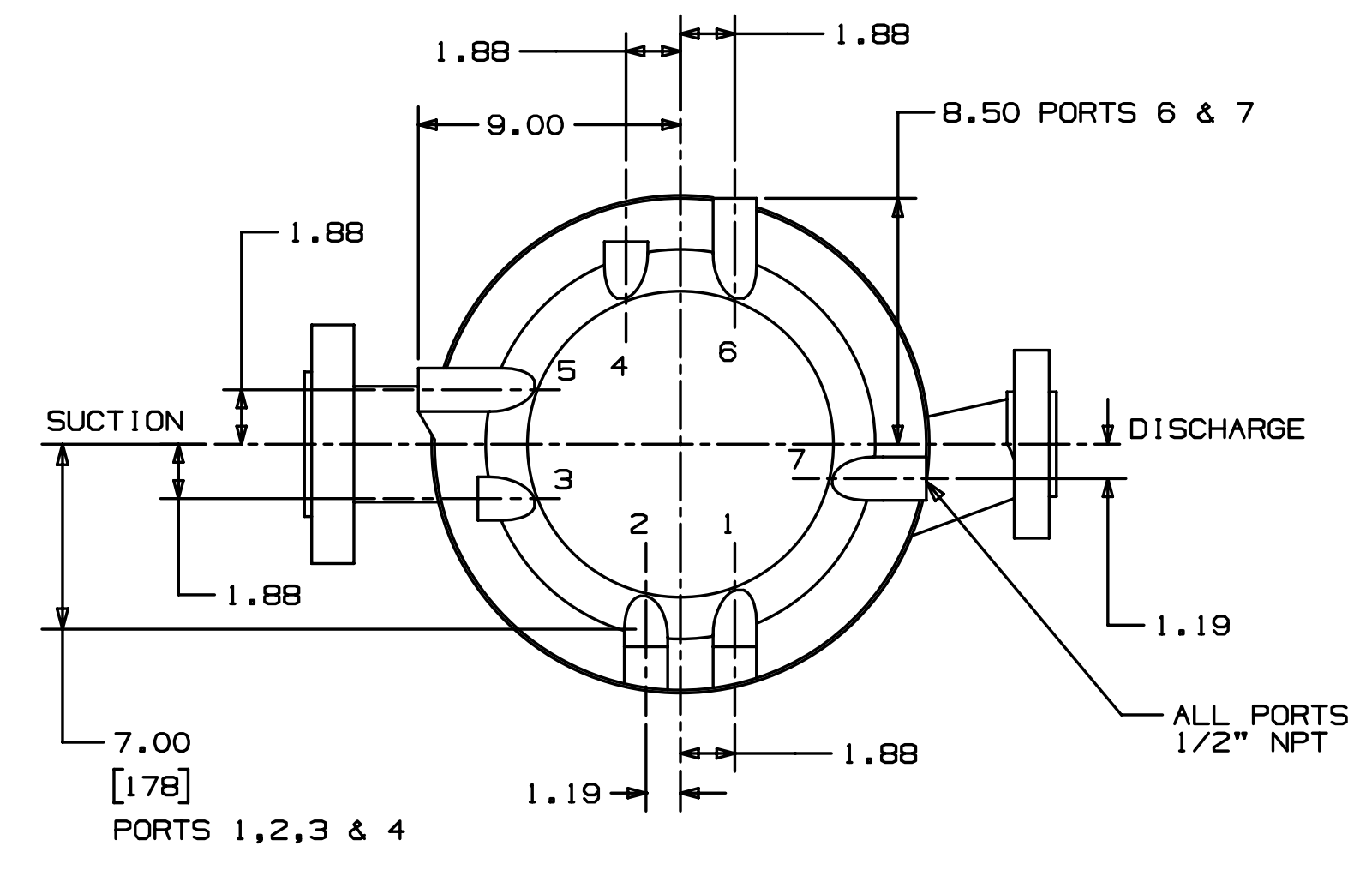
MATERIAL	DWN L. WEBER 11/15/01	 <small>14845 WEST 84th AVENUE, ARVING, COLORADO, 80007, U.S.A. www.sundyne.com</small>	
PROJ			
MFG			
		LMV-311, API PLAN 21 (TUBING) VENT & DRAIN	
		SCALE 1/8" = 1" WT: ACTL	REV B
		SHEET 1 OF 2	

MODEL LMV311

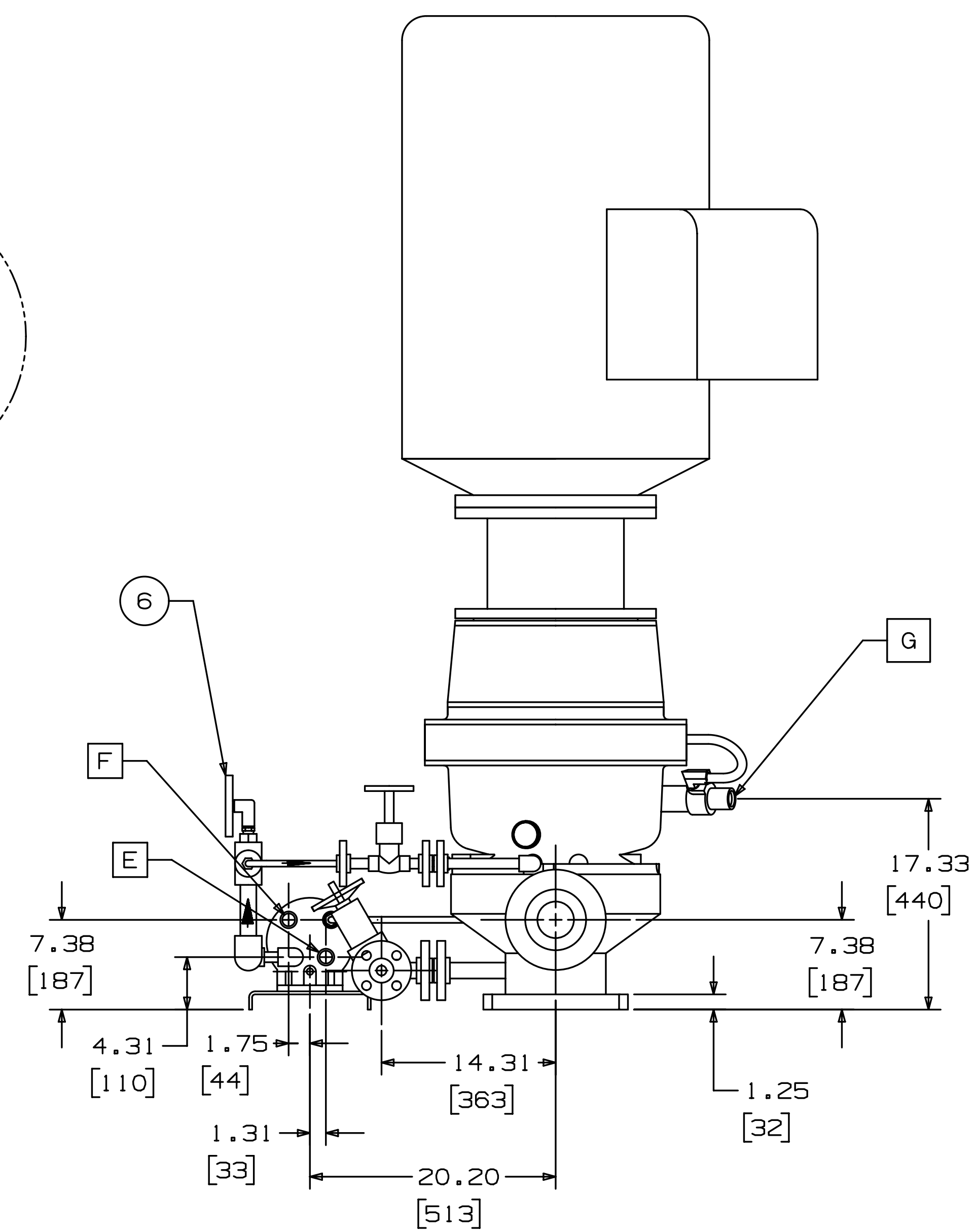
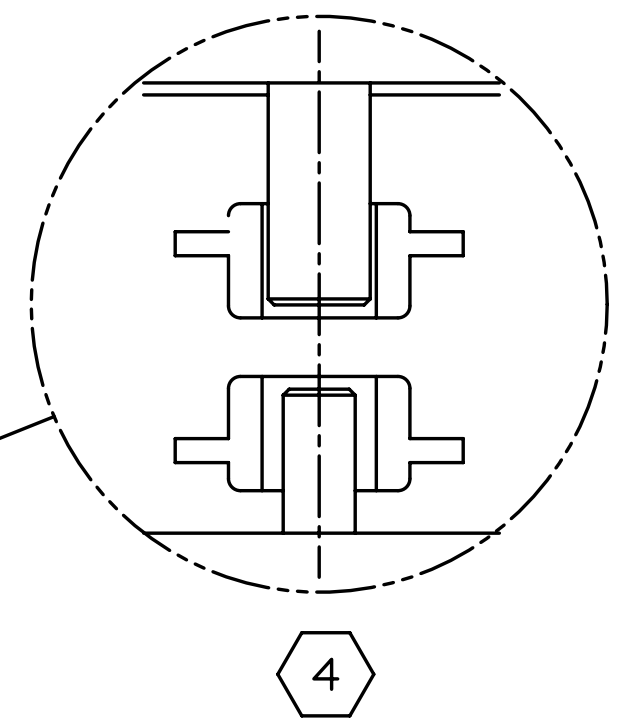
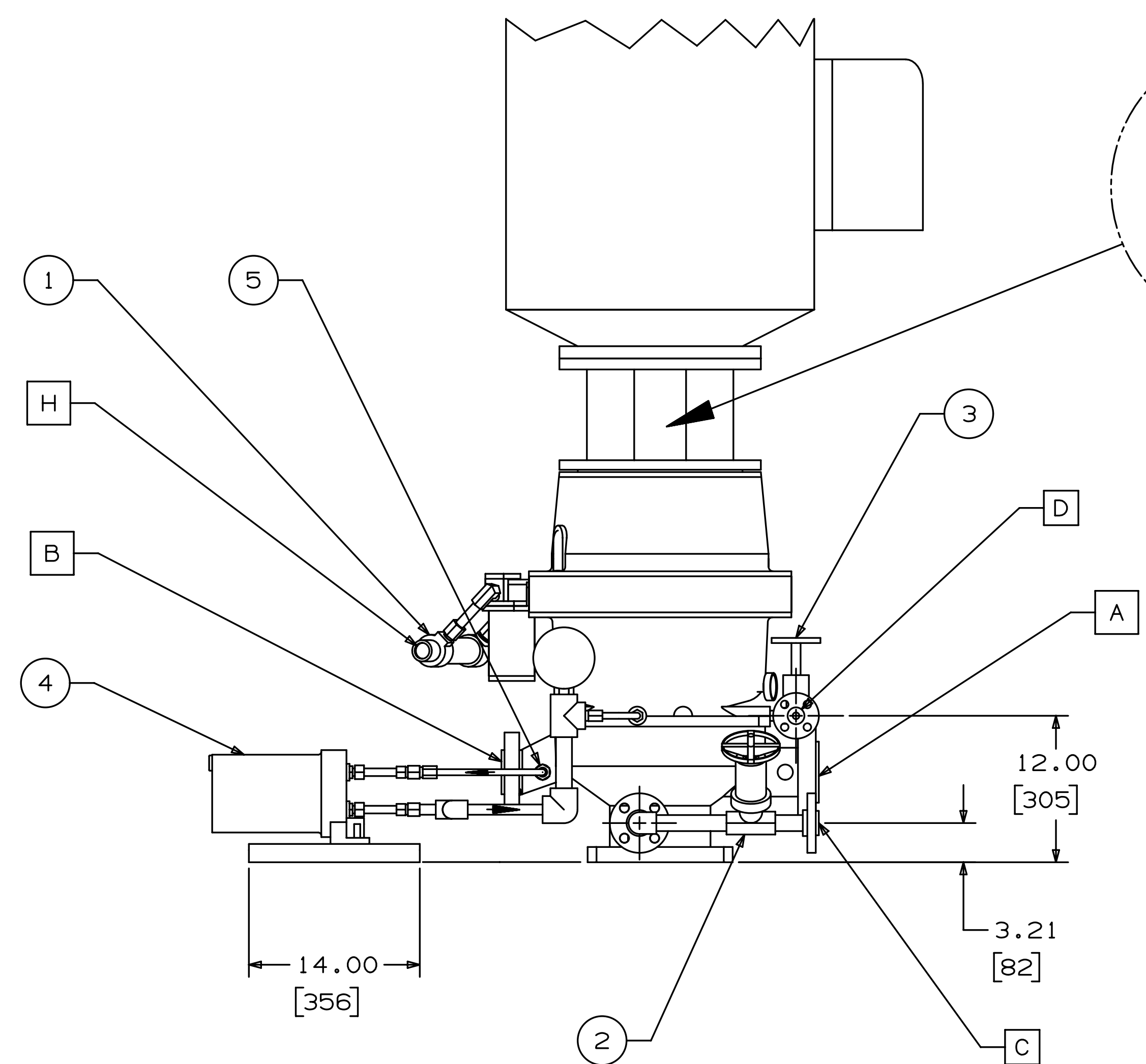
THIS DOCUMENT CONTAINS PROPRIETARY INFORMATION OF SUNDYNE CORPORATION. NEITHER RECEIPT NOR POSSESSION THEREOF CONFERS ANY RIGHT TO REPRODUCE, OR USE, OR DISCLOSE, IN WHOLE OR IN PART, ANY SUCH INFORMATION WITHOUT WRITTEN AUTHORIZATION FROM SUNDYNE CORPORATION.



FLANGED MOUNTING BASE
(BOTTOM VIEW)



PORT LOCATIONS
(TOP VIEW)



CUSTOMER CONNECTIONS

- A PUMP SUCTION
3"-600#RF FLANGE
- B PUMP DISCHARGE
2"-600#RF FLANGE
- C PUMP CASE DRAIN
1"-600#RF FLANGE
- D PUMP SEAL VENT
1/2"-600#RF FLANGE
- E HEAT EXCHANGER,
API PLAN 21
COOLANT IN
3/4"NPT (F)
- F HEAT EXCHANGER
API PLAN 21
COOLANT OUT
3/4"NPT (F)
- G GEARBOX HEAT EXCHANGER
COOLANT IN
1" NPT
- H GEARBOX HEAT EXCHANGER
COOLANT OUT
1" NPT

LMV-311, API PLAN 21 (TUBING) VENT & DRAIN		
SIZE D	PR21AA02	REV
SCALE 1/4	WT:ACTL	CALC
SHEET 2		OF 2