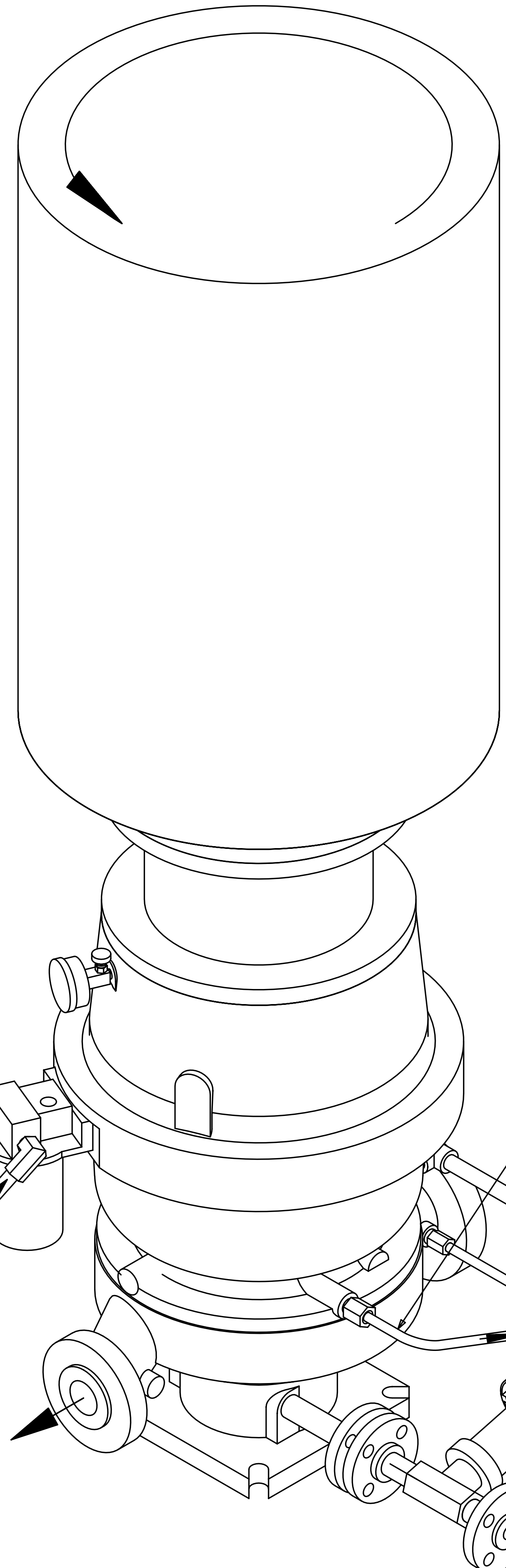


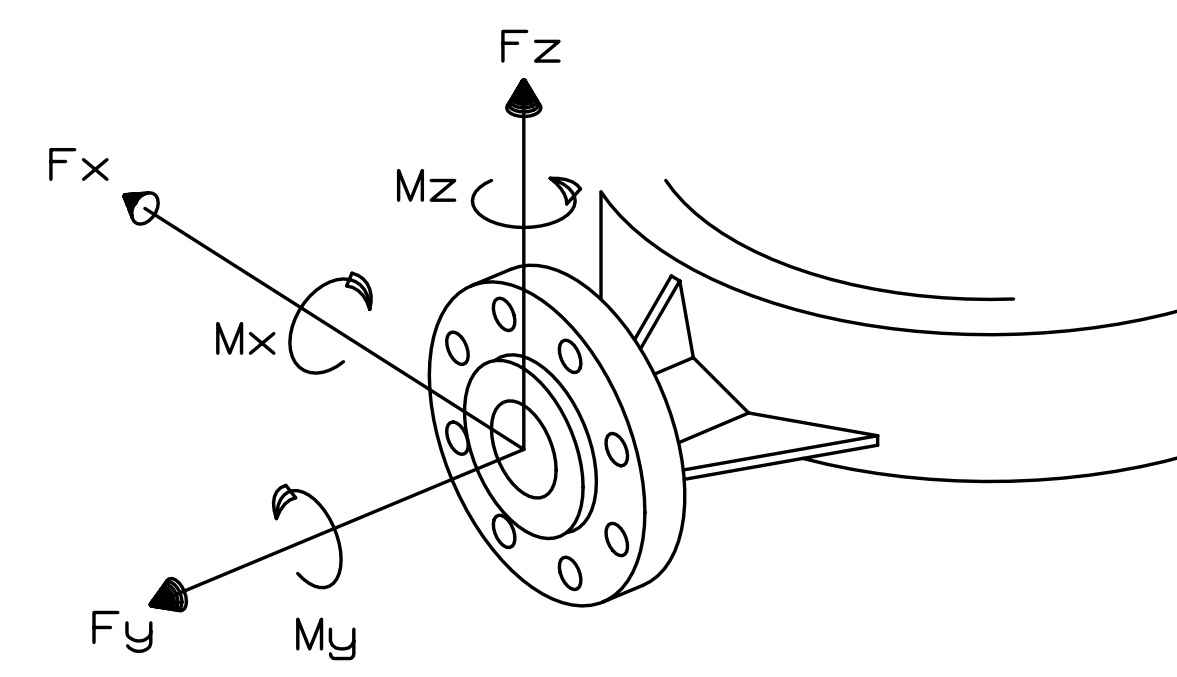
THIS DOCUMENT CONTAINS PROPRIETARY INFORMATION OF SUNDYNE CORPORATION. NEITHER RECEIPT NOR POSSESSION THEREOF CONFERS ANY RIGHT TO REPRODUCE, OR USE, OR DISCLOSE, IN WHOLE OR IN PART, ANY SUCH INFORMATION WITHOUT WRITTEN AUTHORIZATION FROM SUNDYNE CORPORATION.

DWG NO	PR13AA02	SH	1	REV	-
REVISION					
DESCRIPTION					

No	UNLESS OTHERWISE SPECIFIED OR APPLICABLE
1	DIMENSIONS IN INCHES (mm)
2	ALL PIPING CONN. ± 1/4"
3	WEIGHTS: PUMP 490 LBS/222 KG GEARBOX 270 LBS/122 KG MISC 200 LBS/ 90 KG MOTOR LBS/ KG
TOTAL	
4	STANDARD MOTOR COUPLING: FALK TYPE FDC10 NON-LUBRICATED 301 SST DISC PACKS OPTIONAL: REX-THOMAS FLEXIBOX (METASTREAM INC) KOP-FLEX & OTHERS
5	NOTE: THIS PROPOSAL DWG IS INTENDED FOR USE OF EQUIPMENT AS SPECIFIED IN "TITLE BLOCK" ONLY. OTHER EQUIPMENT SUCH AS MOTOR, GAUGES & MATERIAL WILL BE SPECIFIED AND DIMENSIONED AS REQUIRED ON CUSTOMER DRAWING.



MAXIMUM ALLOWABLE FORCES AND MOMENTS ON FLANGES OF SUNDYNE UNITS



PUMP MODELS LMV-311, 322, 331, 801, 802, 806; BMP-311, 331

FLANGES	FORCES = LBf			MOMENTS = FT-LBf		
	Fx	Fy	Fz	Mx	My	Mz
SUCTION 3"	480	600	400	1400	700	1060
DISCHARGE 2"	320	400	260	680	340	520

FLANGES	FORCES = NEWTON			MOMENTS = NEWTON METER		
	Fx	Fy	Fz	Mx	My	Mz
SUCTION 3"	2135	2669	1779	1898	949	1437
DISCHARGE 2"	1423	1779	1157	922	461	705

THESE VALUES DEVELOPED FROM FORCES AND MOMENTS LIMITS AS ESTABLISHED IN API 610, 8TH EDITION

ITEM	DESCRIPTION
6	GAUGE, TEMPERATURE, 2-1/2" DIAL
5	GAUGE, PRESSURE, 2-1/2" DIAL
4	ORIFICE, SINGLE STAGE
3	HEAT EXCHANGER, 2 X 9, 1 PASS
2	VALVE, GATE, VOGT #12401, 1/2" SW, BOLTED BONNET, OS&Y, CL 800, 1975 PSI @ 100° F
1	VALVE, GATE, VOGT #12401.1" SW, BOLTED BONNET, OS&Y, CL 800, 1975 PSI @ 100° F

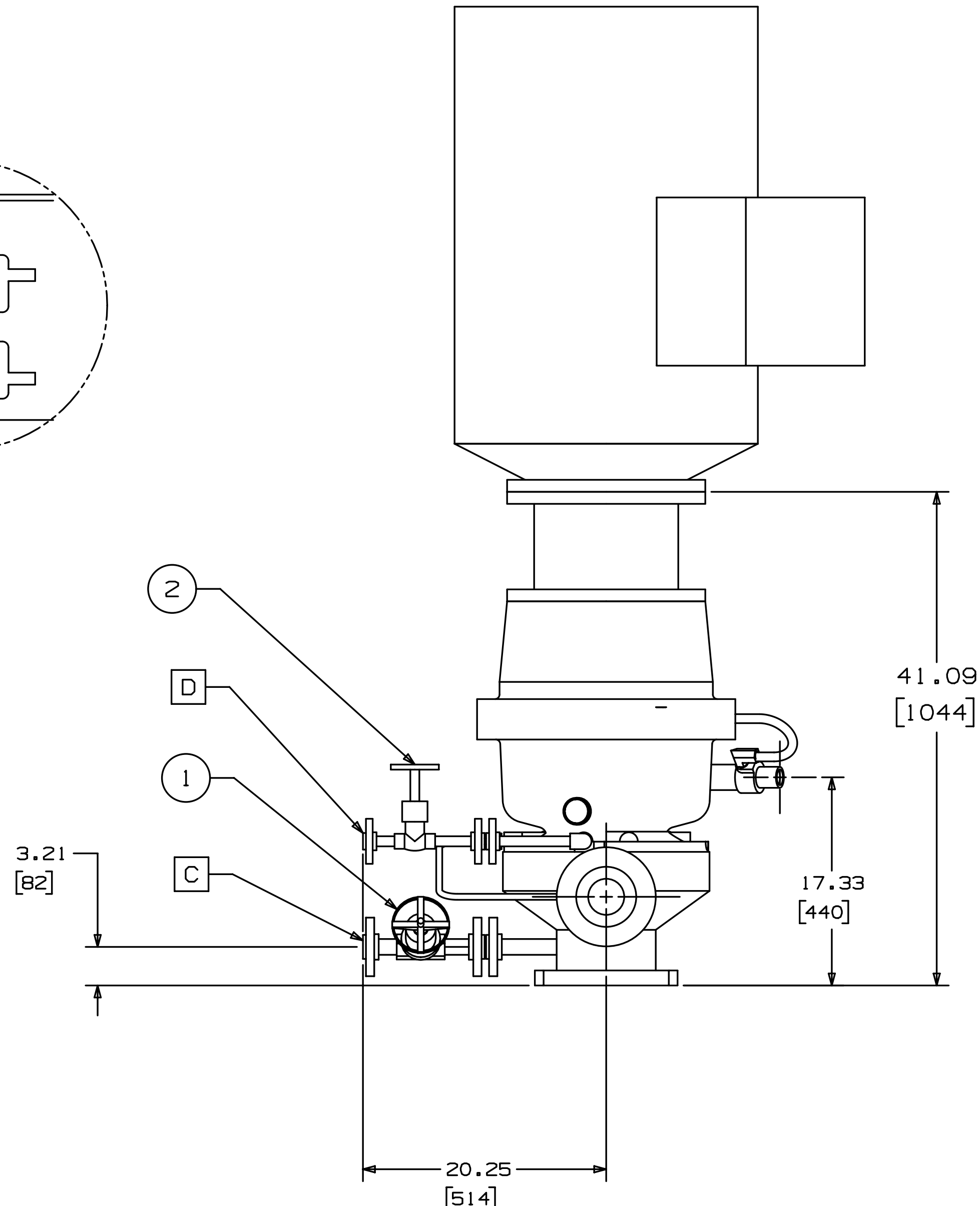
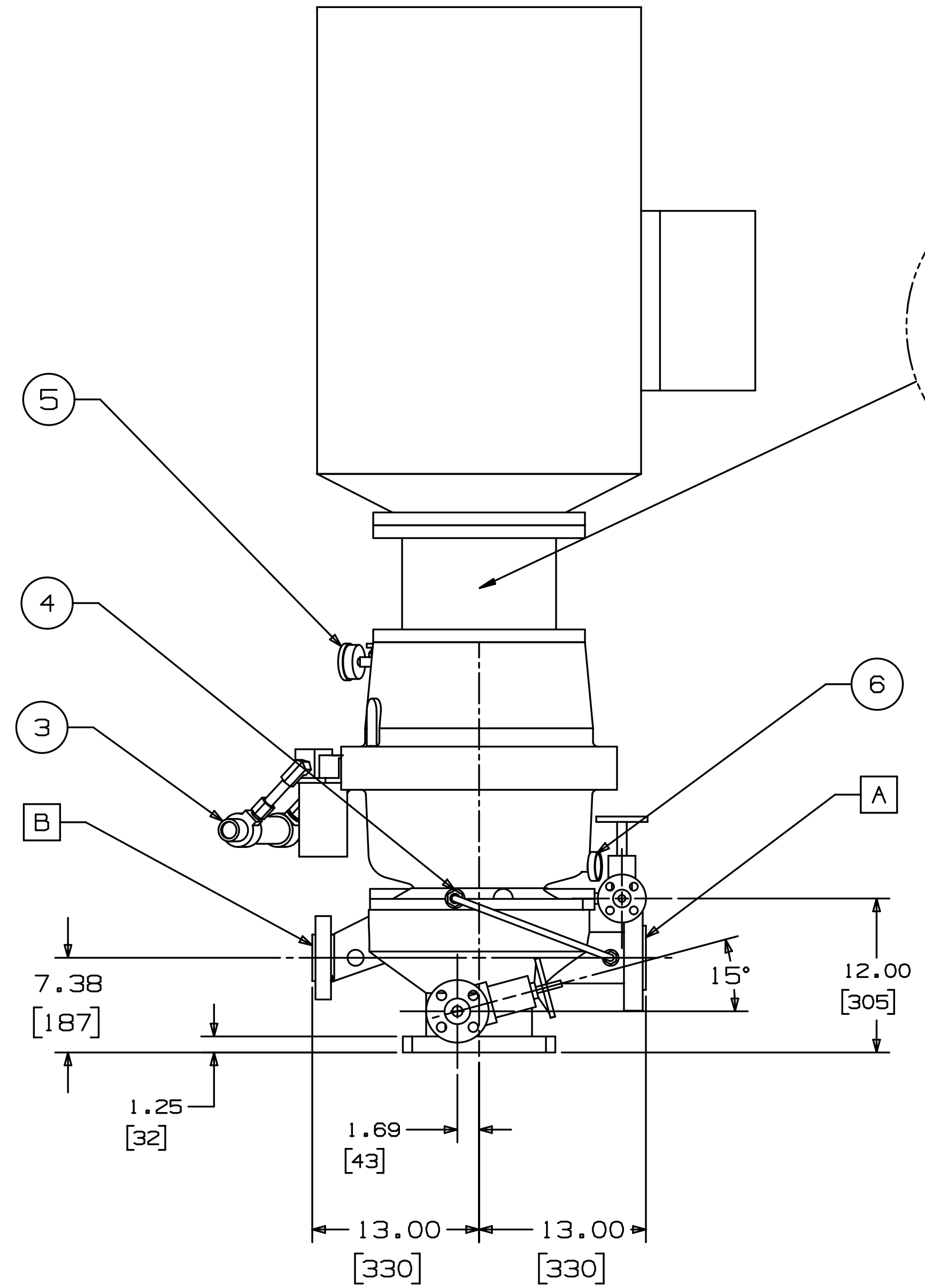
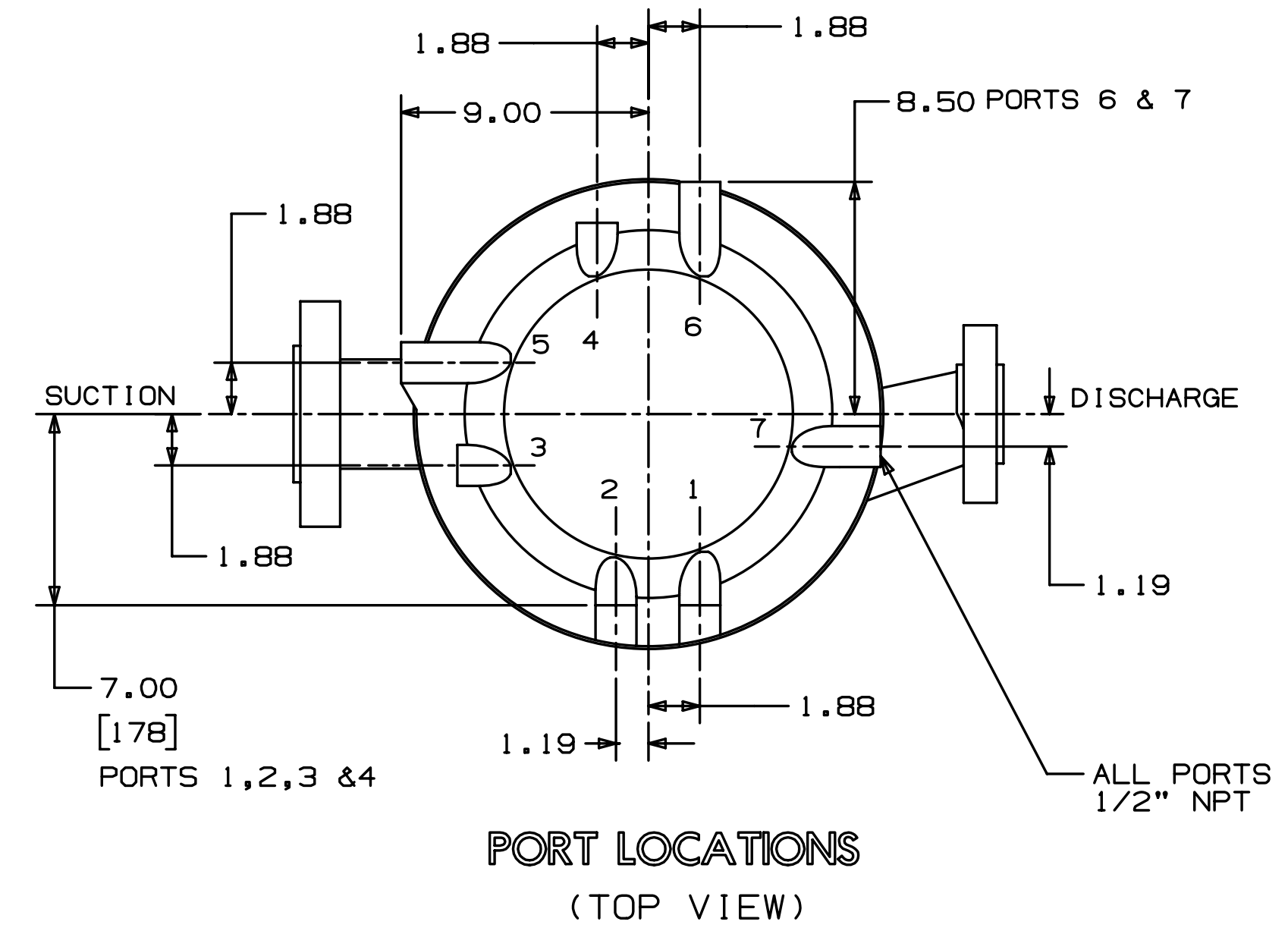
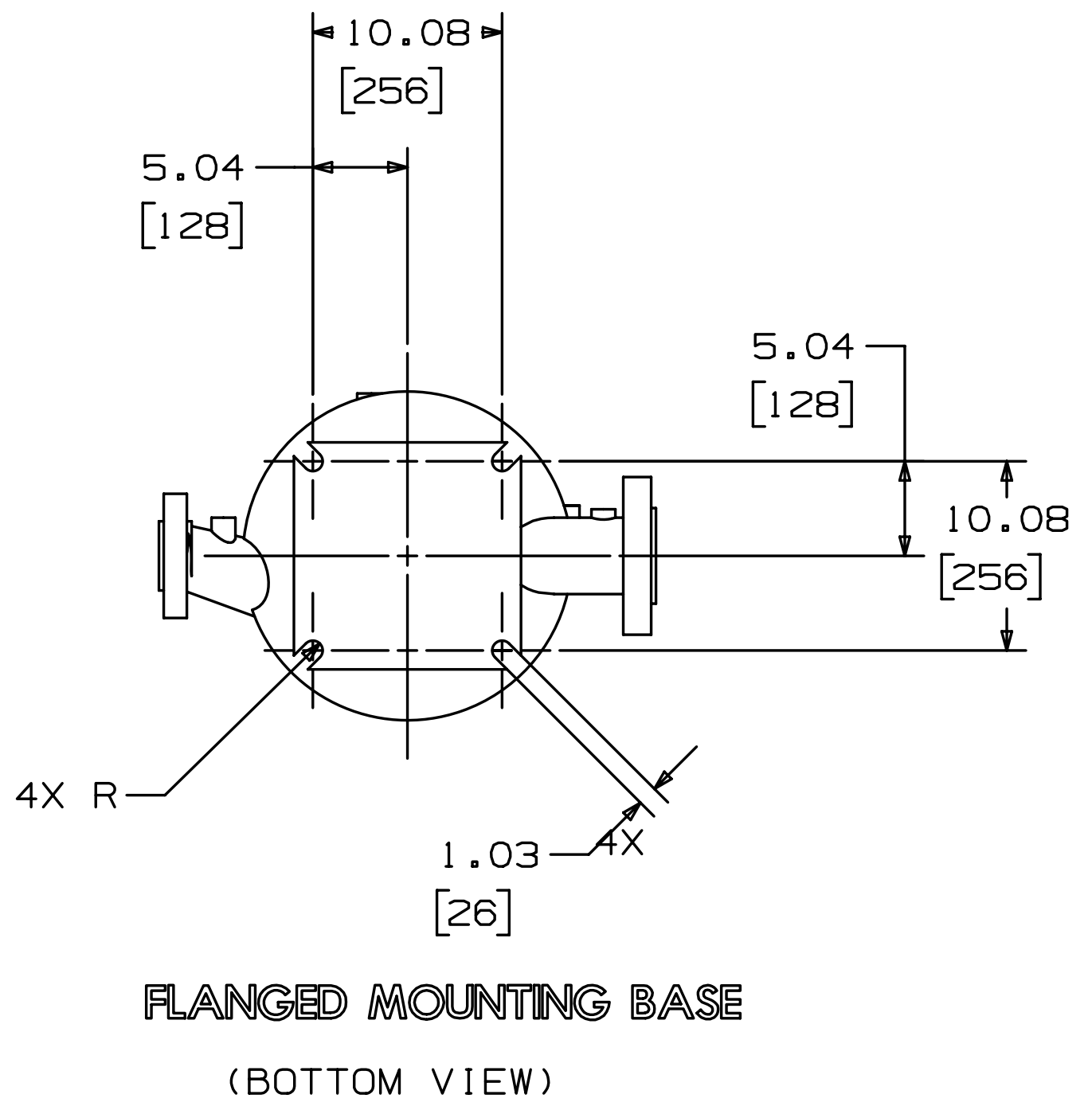
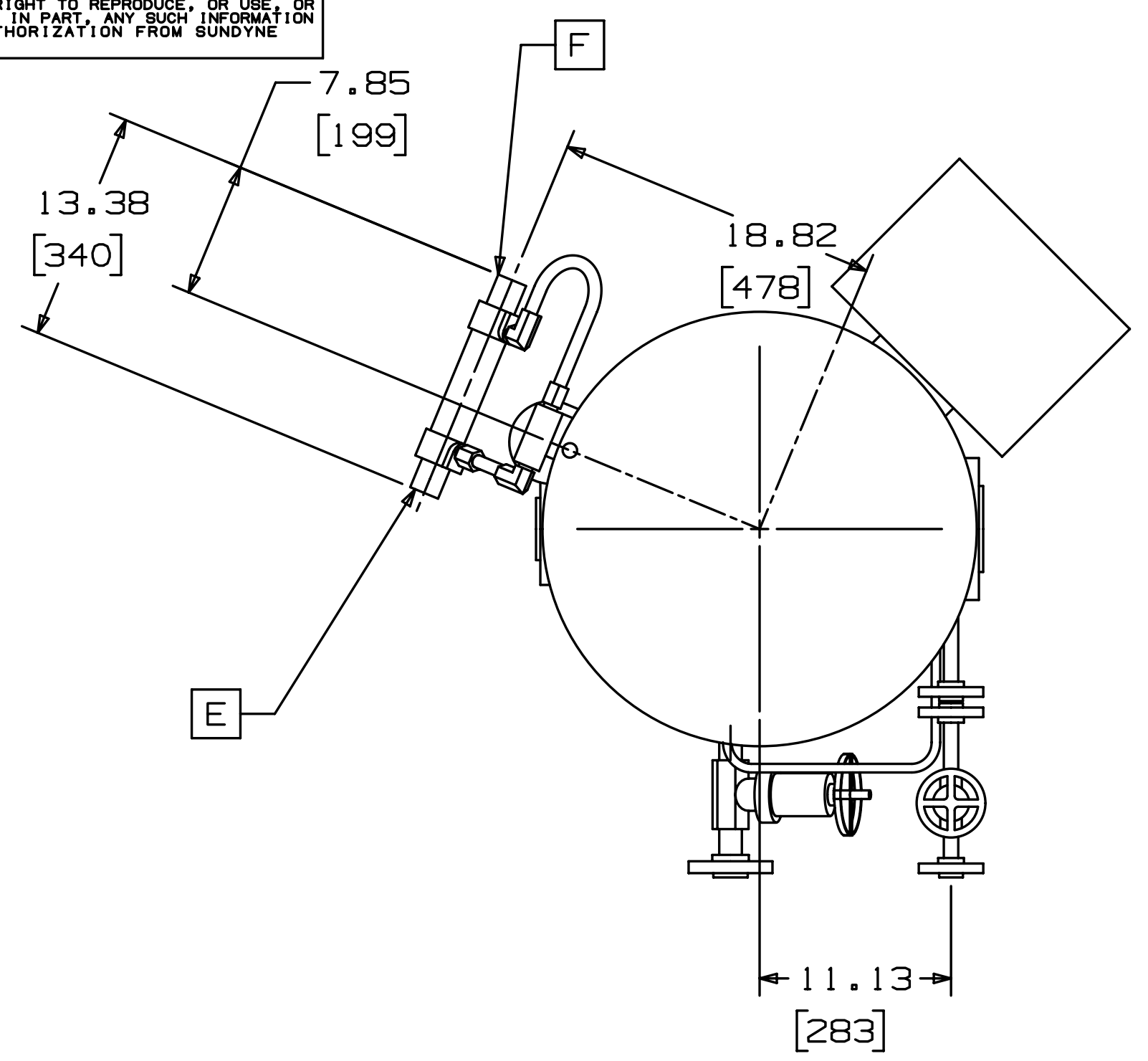
CUSTOMER INFORMATION

CUSTOMER : _____
 INQUIRY/P.O. NO. : _____
 QUOTE NO. : _____
 ITEM NO. : _____
 SALES OFFICE : _____
 DATE : _____

MATERIAL	DWN L. WEBER 11/15/01	<p>14845 WEST 84th AVENUE, ARVING, COLORADO, 80007, U.S.A. www.sundyne.com</p>
PROJ		
MFG		
<p>LMV-311, GEAR BOX HX, API PLAN 13(TUBING), VENT & DRAIN</p>		<p>SCALE 1/8" = ACTUAL SHEET 1 OF 2</p>
<p>PR13AA02</p>		

MODEL LMV-311

THIS DOCUMENT CONTAINS PROPRIETARY INFORMATION OF SUNDYNE CORPORATION. NEITHER RECEIPT NOR POSSESSION THEREOF CONFERS ANY RIGHT TO REPRODUCE, OR USE, OR DISCLOSE, IN WHOLE OR IN PART, ANY SUCH INFORMATION WITHOUT WRITTEN AUTHORIZATION FROM SUNDYNE CORPORATION.



CUSTOMER CONNECTIONS

- A PUMP SUCTION, 3" - 600#RF FLANGE
- B PUMP DISCHARGE, 2" - 600#RF FLANGE
- C PUMP CASE DRAIN, 1" - 600#RF, SW FLANGE
- D PUMP SEAL VENT, 1/2" - 600#RF, SW FLANGE
- E HEAT EXCHANGER, COOLANT IN 1"NPT
- F HEAT EXCHANGER, COOLANT OUT 1"NPT

LMV-311, GEAR BOX HX, API PLAN 13 (TUBING), VENT & DRAIN			
SIZE	D	PR13AA02	REV -
SCALE	1/8"	WT:ACTL	CALC
		SHEET 2 OF 2	