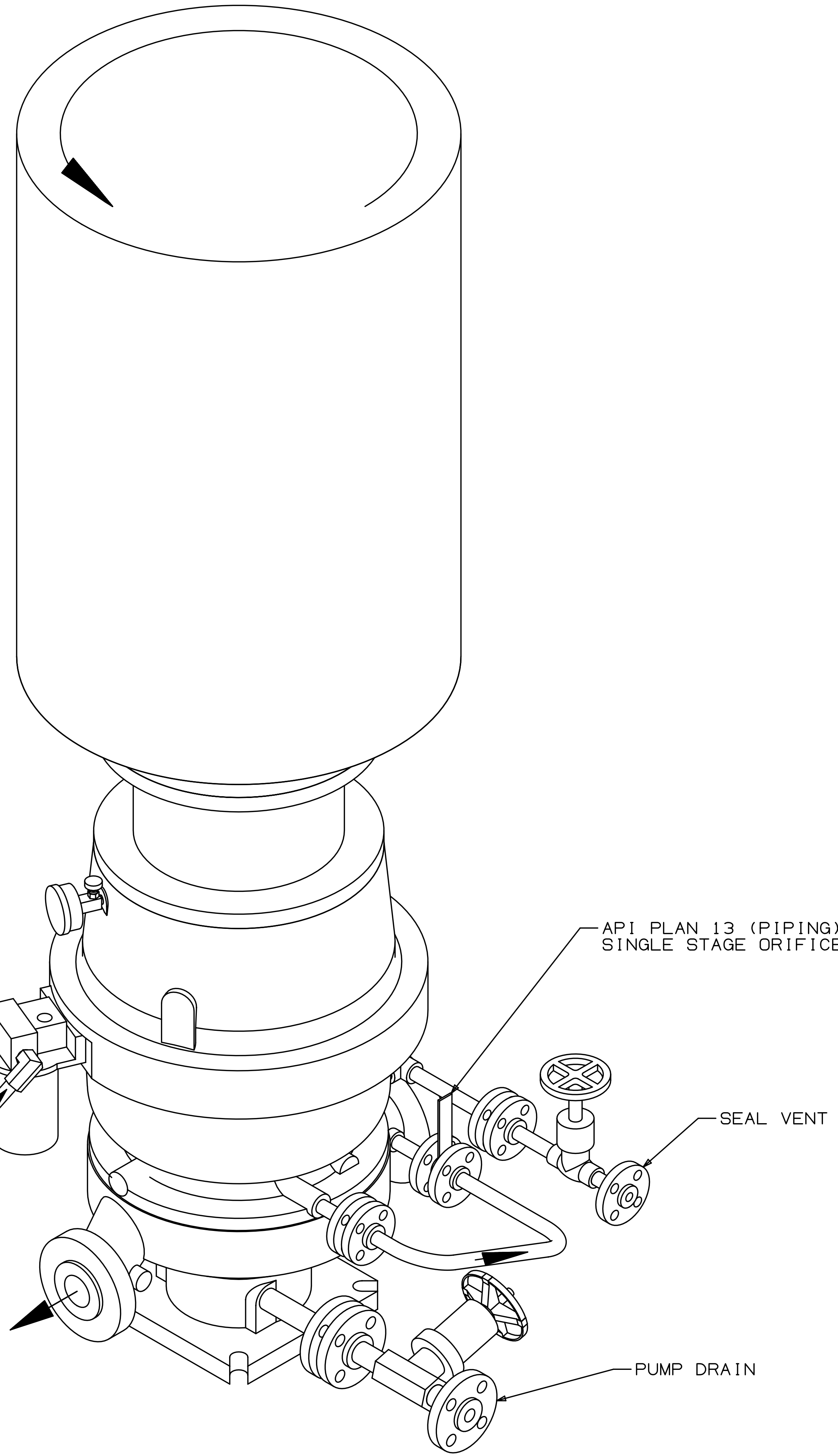


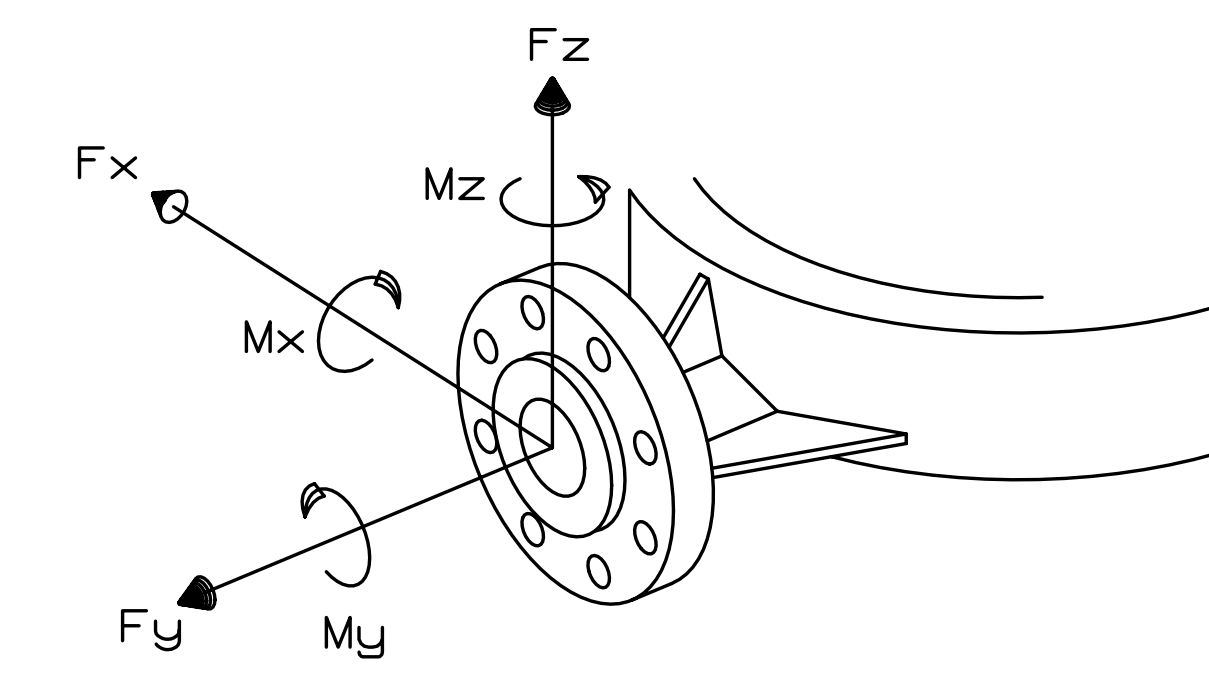
THIS DOCUMENT CONTAINS PROPRIETARY INFORMATION OF SUNDYNE CORPORATION. NEITHER RECEIPT NOR POSSESSION THEREOF CONFERS ANY RIGHT TO REPRODUCE, OR USE, OR DISCLOSE, IN WHOLE OR IN PART, ANY SUCH INFORMATION WITHOUT WRITTEN AUTHORIZATION FROM SUNDYNE CORPORATION.

- UNLESS OTHERWISE SPECIFIED OR APPLICABLE**
- 1 DIMENSIONS IN INCHES (mm)
 - 2 ALL PIPING CONN. ± 1/4"
 - 3 WEIGHTS:
 PUMP 490 LBS/222 KG
 GEARBOX 270 LBS/122 KG
 MISC 200 LBS/ 90 KG
 MOTOR LBS/ KG
 - 4 STANDARD MOTOR COUPLING:
 FALK TYPE FDC10
 NON-LUBRICATED
 301 SST DISC PACKS

 OPTIONAL:
 REX-THOMAS
 FLEXIBOX (METASTREAM INC)
 KOP-FLEX & OTHERS
 - 5 NOTE: THIS PROPOSAL DWG IS INTENDED FOR USE OF EQUIPMENT AS SPECIFIED IN "TITLE BLOCK" ONLY. OTHER EQUIPMENT SUCH AS MOTOR, GAUGES & MATERIAL WILL BE SPECIFIED AND DIMENSIONED AS REQUIRED ON CUSTOMER DRAWING.



MAXIMUM ALLOWABLE FORCES AND MOMENTS ON FLANGES OF SUNDYNE UNITS



PUMP MODELS LMV-311, 322, 331, 801, 802, 806; BMP-311, 331

FORCES = LBf MOMENTS = FT-LBf

FLANGES	F _x	F _y	F _z	M _x	M _y	M _z
SUCTION 3"	480	600	400	1400	700	1060
DISCHARGE 2"	320	400	260	680	340	520

FORCES = NEWTON MOMENTS = NEWTON METER

FLANGES	F _x	F _y	F _z	M _x	M _y	M _z
SUCTION 3"	2135	2669	1779	1898	949	1437
DISCHARGE 2"	1423	1779	1157	922	461	705

THESE VALUES DEVELOPED FROM FORCES AND MOMENTS LIMITS AS ESTABLISHED IN API 610, 8TH EDITION

- 6 GAUGE, TEMPERATURE, 2-1/2" DIAL
- 5 GAUGE, PRESSURE, 2-1/2" DIAL
- 4 ORIFICE, SINGLE STAGE
- 3 HEAT EXCHANGER, 2 X 9, 1 PASS
- 2 VALVE, GATE, VOGT #12401, 1/2" SW, BOLTED BONNET, OS&Y, CL 800, 1975 PSI @ 100° F
- 1 VALVE, GATE, VOGT #12401, 1" SW, BOLTED BONNET, OS&Y, CL 800, 1975 PSI @ 100° F

CUSTOMER INFORMATION

CUSTOMER : _____

INQUIRY/P.O. NO. : _____

QUOTE NO. : _____

ITEM NO. : _____

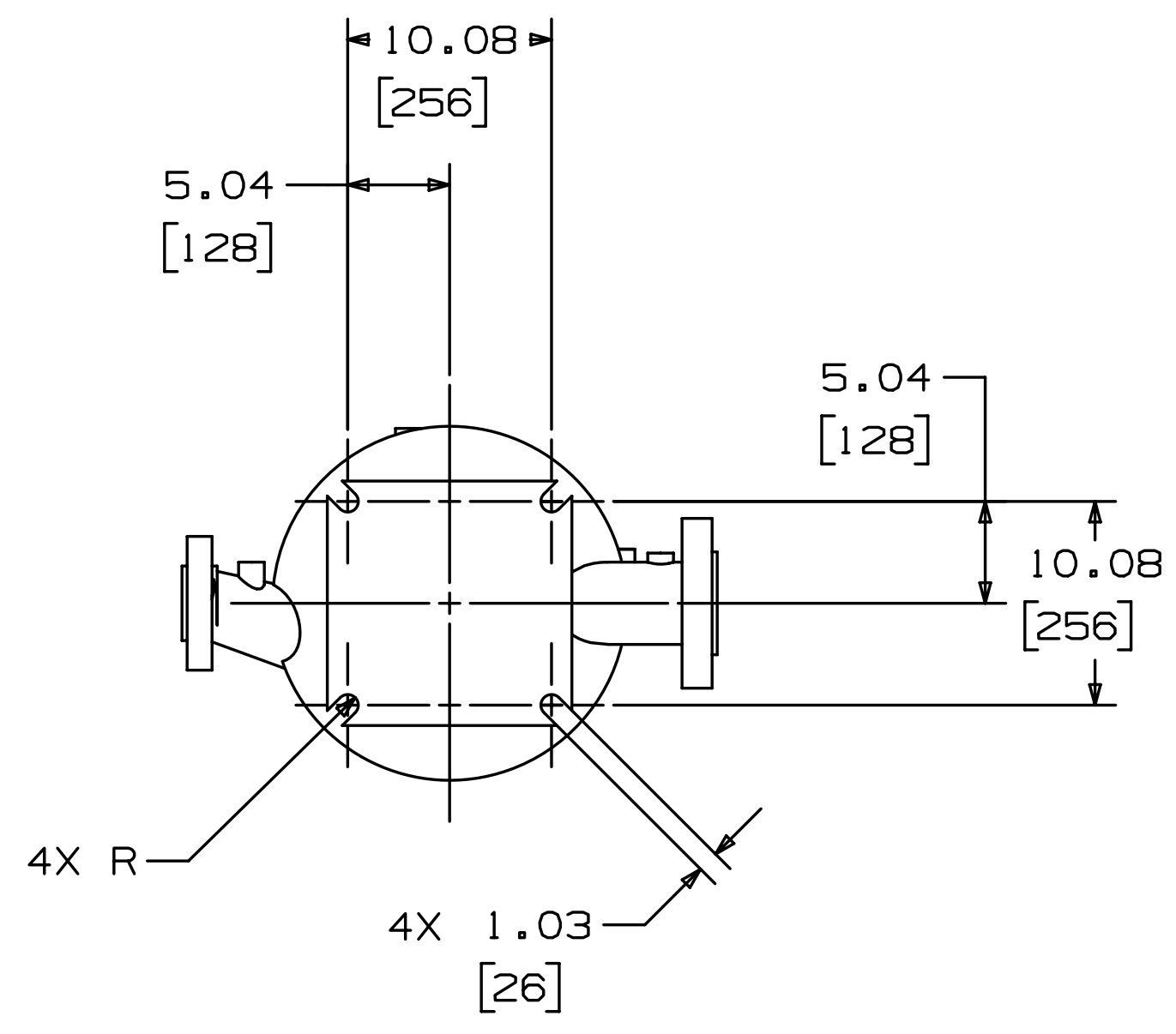
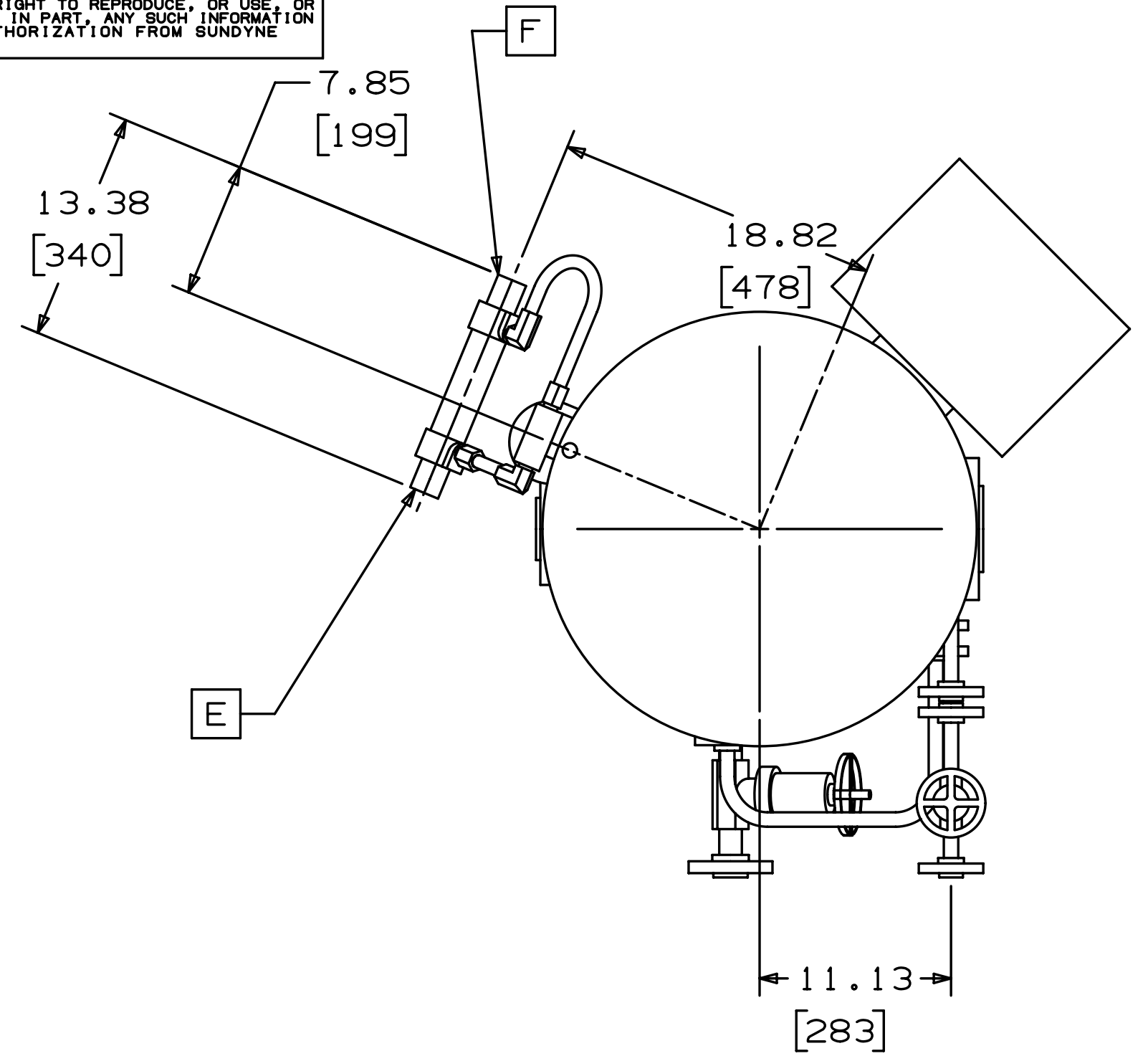
SALES OFFICE : _____

DATE : _____

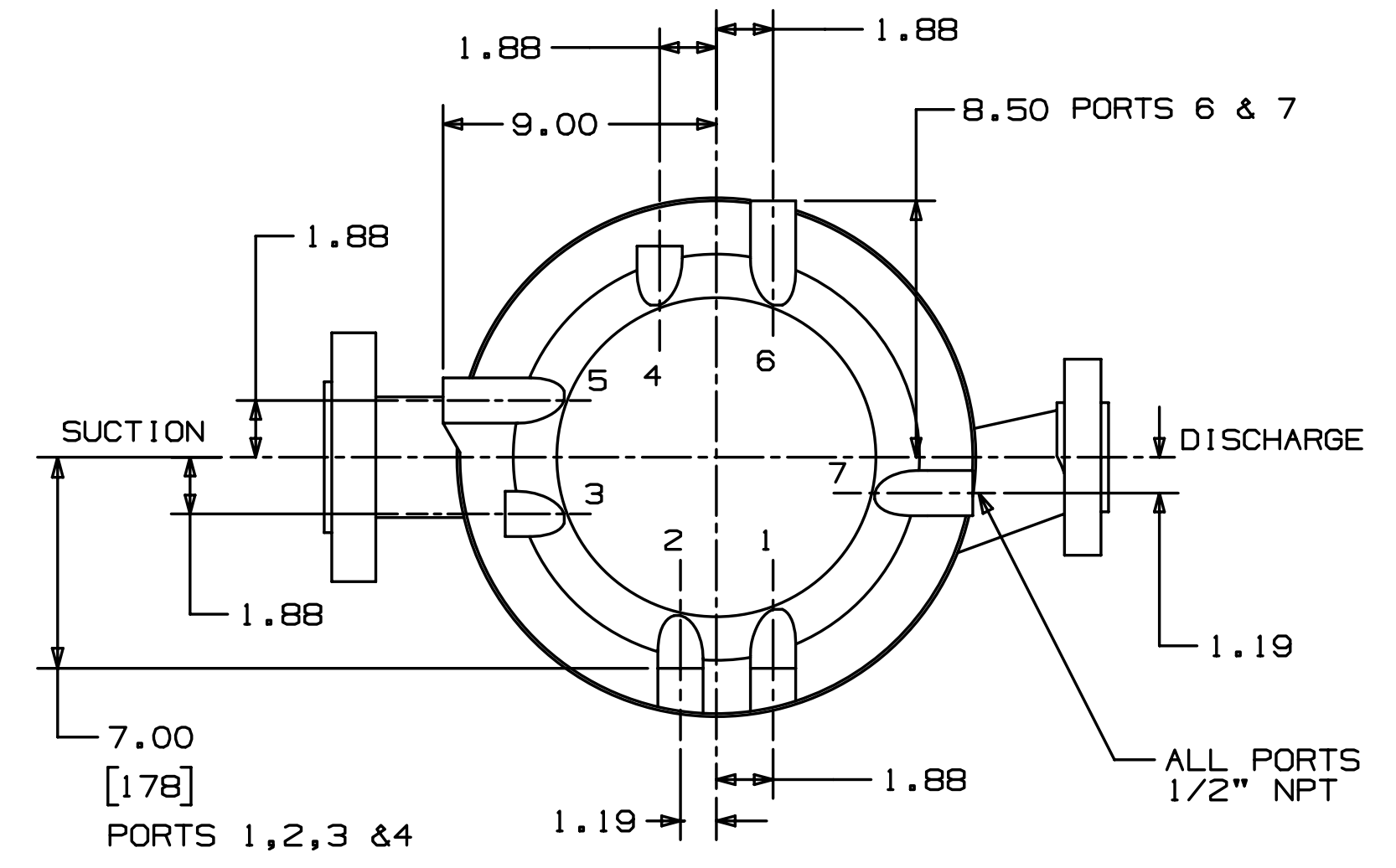
MATERIAL	DWN L. WEBER	11/15/01	 14845 WEST 84th AVENUE, ARVING, COLORADO, 80007, U.S.A. www.sundyne.com	
PROJ				
MFG			LMV-311, GEAR BOX HX, API PLAN 13(PIPING), VENT & DRAIN	
SCALE 1/8" = ACTUAL			WT:ACTL	CALC
SHEET 1 OF 2				

MODEL LMV-311

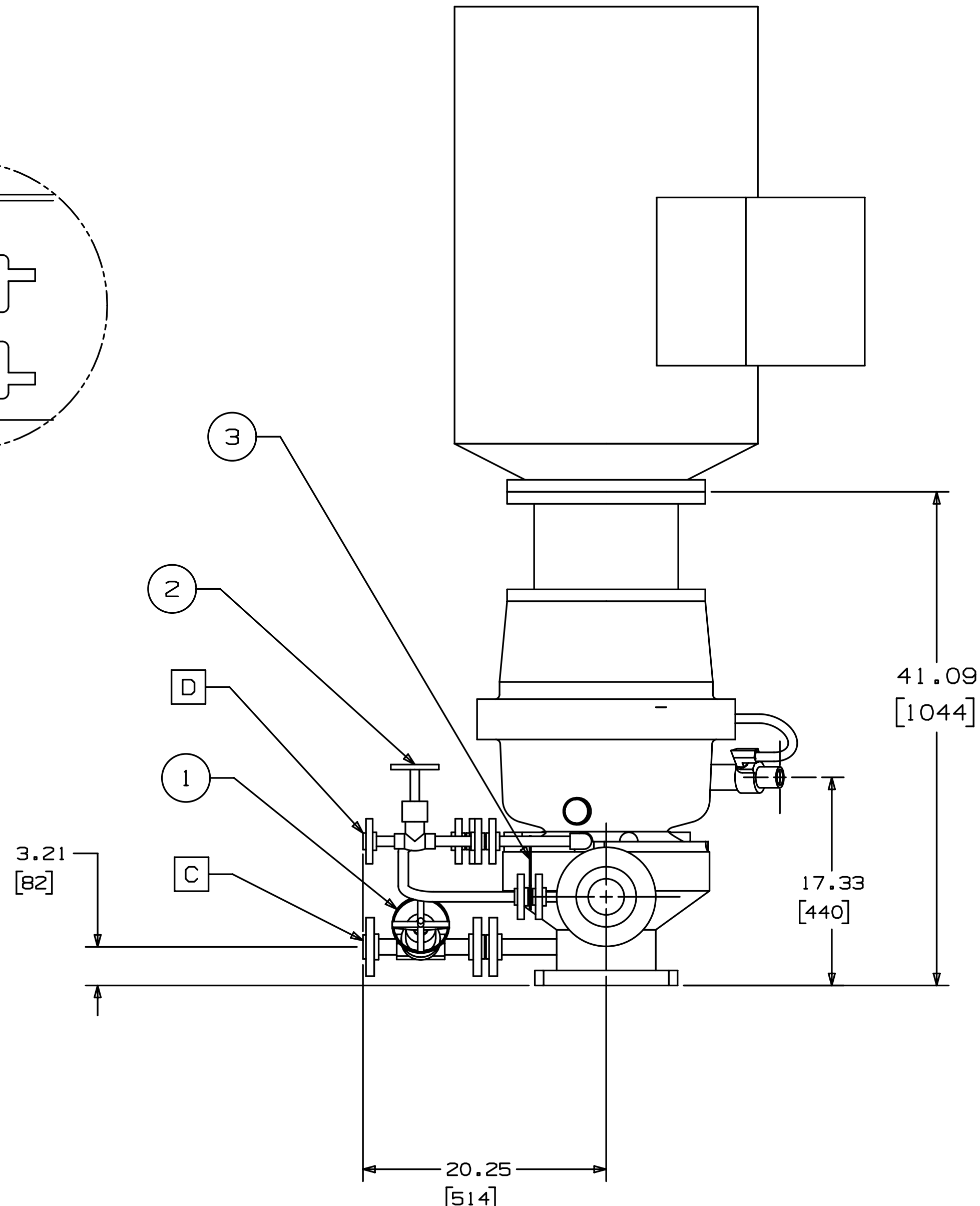
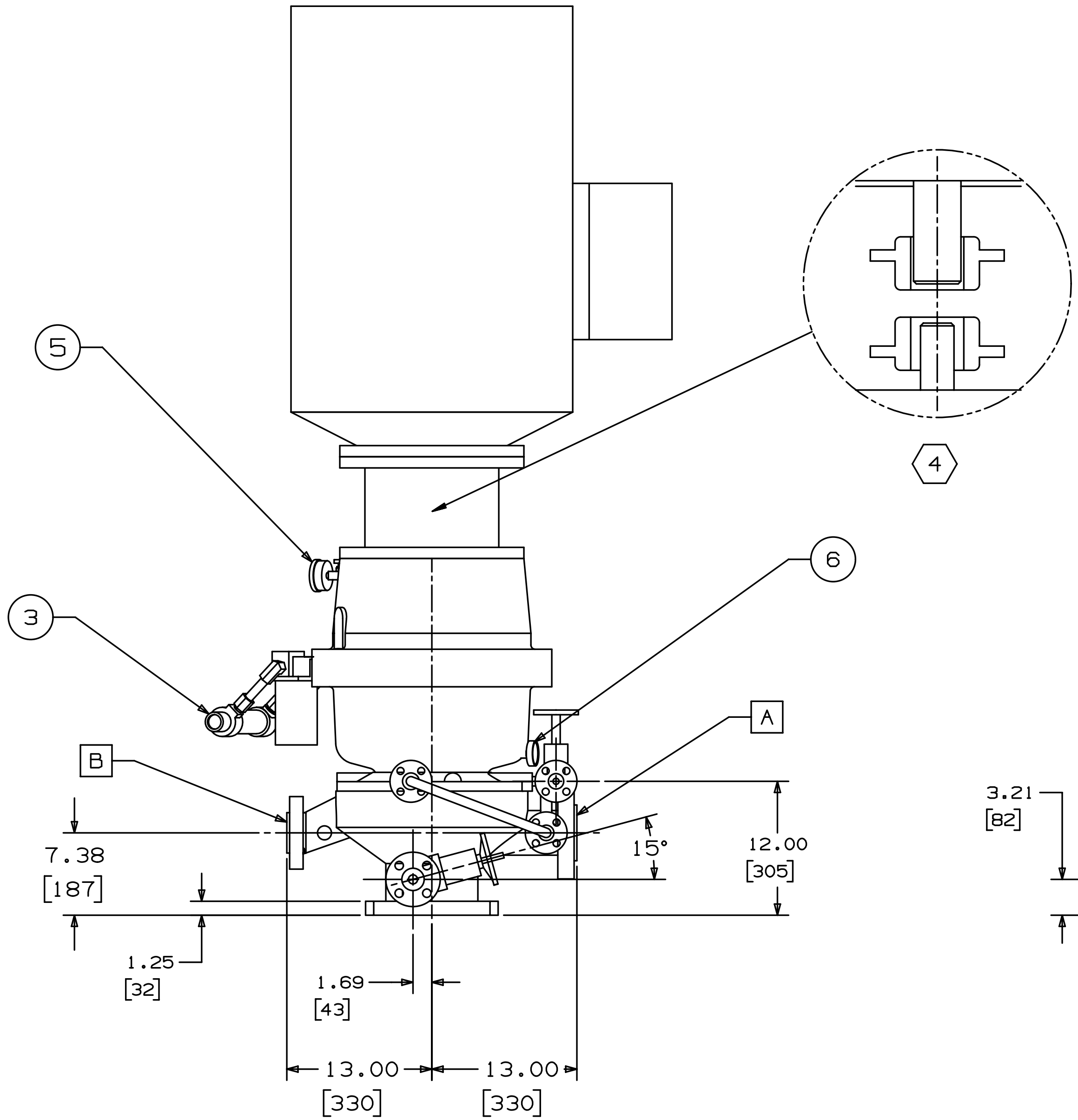
THIS DOCUMENT CONTAINS PROPRIETARY INFORMATION OF SUNDYNE CORPORATION. NEITHER RECEIPT NOR POSSESSION THEREOF CONFERS ANY RIGHT TO REPRODUCE, OR USE, OR DISCLOSE, IN WHOLE OR IN PART, ANY SUCH INFORMATION WITHOUT WRITTEN AUTHORIZATION FROM SUNDYNE CORPORATION.



FLANGED MOUNTING BASE
 (BOTTOM VIEW)



PORT LOCATIONS
 (TOP VIEW)



CUSTOMER CONNECTIONS

- A PUMP SUCTION, 3"-600#RF FLANGE
- B PUMP DISCHARGE, 2"-600#RF FLANGE
- C PUMP CASE DRAIN, 1"-600#RF, SW FLANGE
- D PUMP SEAL VENT, 1/2"-600#RF, SW FLANGE
- E HEAT EXCHANGER, COOLANT IN 1"NPT
- F HEAT EXCHANGER, COOLANT OUT 1"NPT

LMV-311, GEAR BOX HX, API PLAN 13 (PIPING), VENT & DRAIN			
SIZE D	PR13AA01	REV -	
SCALE 1/8"	WT:ACTL	CALC	SHEET 2 OF 2