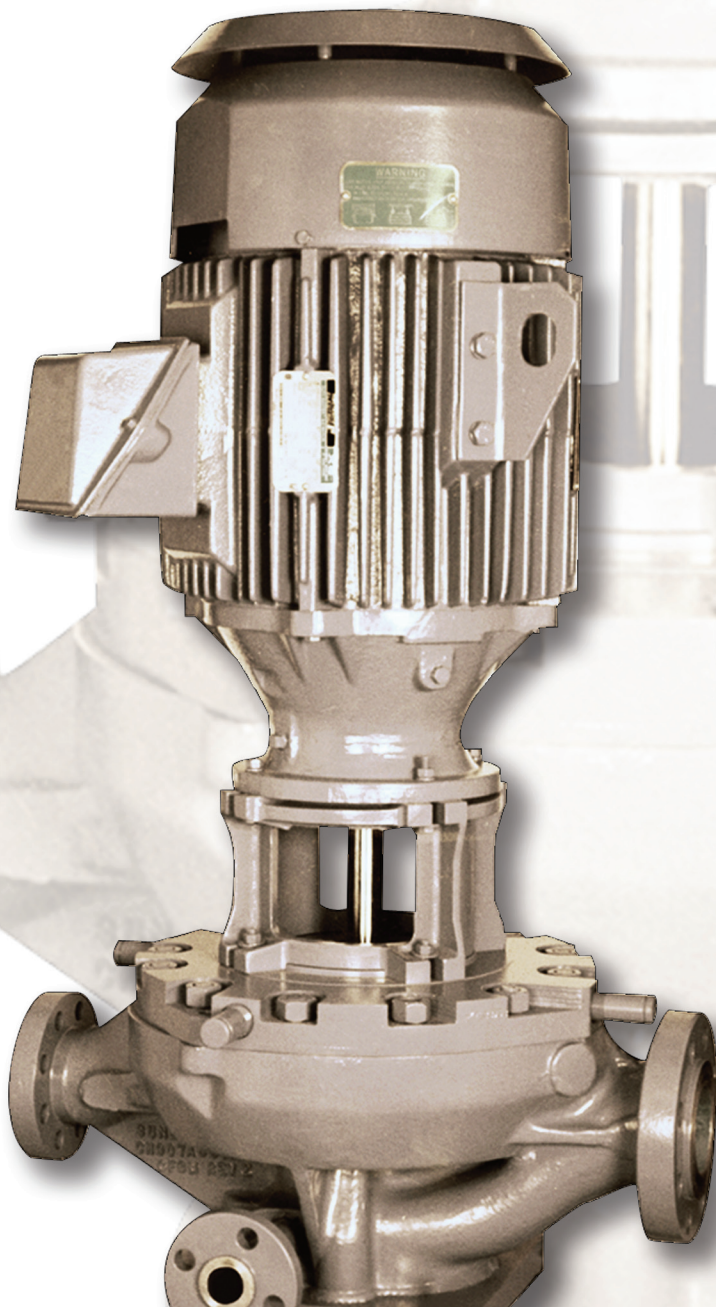
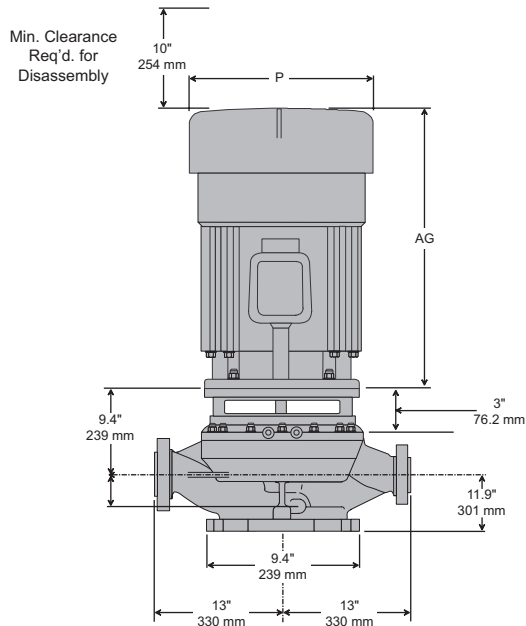


- Simplified access to seals
- Allows easy removal of motor assembly
- Ease of maintenance

Direct Drive • API Pumps • Extended Shaft



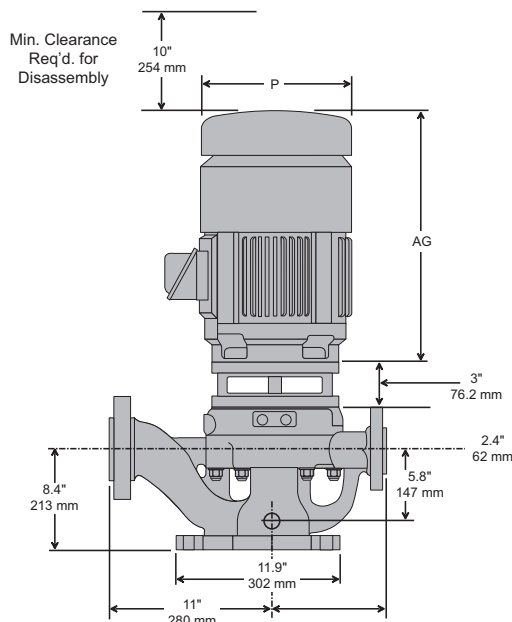


LMV-801

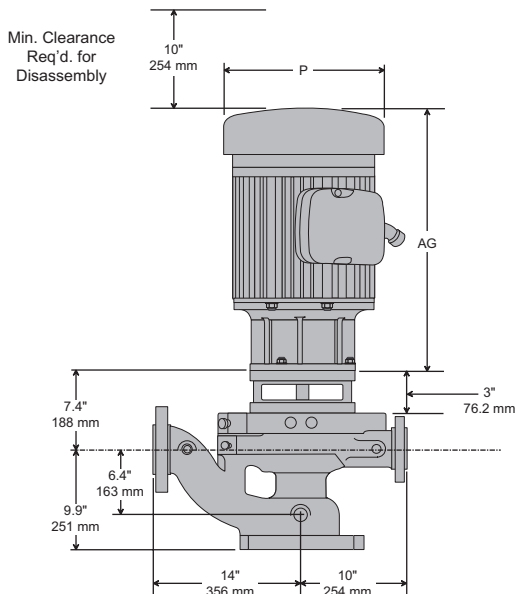
The optional motor bracket/spacer and shaft extends the motor from the pump.

Shaft deflection controlled to less than .002" (.127 mm) at heads to 750 ft. (225 mm) at flows to 400 gpm (90 m³/hr).

Field retrofit with only new motor shaft and bracket/spacer.



LMV-802



LMV-806



PUMPS

COMPRESSORS

ELECTROMAGNETICS

GENUINE PARTS

SERVICE

Worldwide Headquarters

Sundyne Corporation
14845 West 64th Avenue
Arvada, Colorado
USA
Phone: +1 303 425 0800
Fax: +1 303 425 0896
E-mail: pumps@sundyne.com

European Sales Office

SUNDSTRAND INTERNATIONAL S.A.
13-15, boulevard Eiffel - B.P. 30
21604 Longvic
France
Phone: +33 3 80 38 33 00
Fax: +33 3 80 38 33 36
E-mail: european-sales@sundyne.com

© 2009 Sundyne Corporation
All Rights Reserved
01.09.13E, 3/2009

To locate the global representative, distributor or authorized service center nearest you, or for additional information please visit www.sundyne.com

GLOBAL STRENGTH, powered by people.