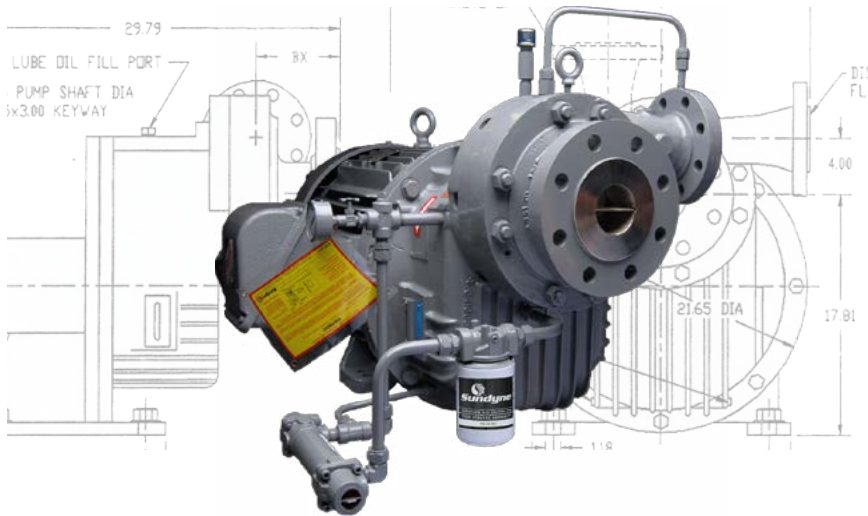




Industrial Grade High-Pressure Pump

Sunflo P-3000



The P-3000 is part of the Sunflo line of industrial grade, high pressure pumps for general service. It extends the performance of the product family by expanding the performance envelope to address ranges that include:

- Flows to 500 gpm (114 m³/hr)
- Heads to 5,200 ft (1,585 m)

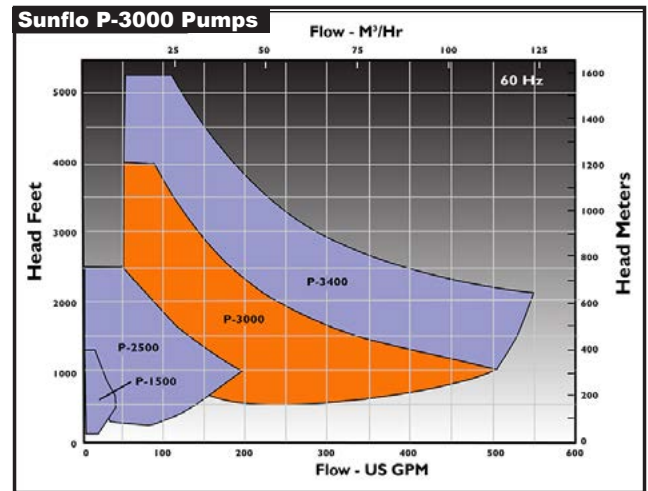
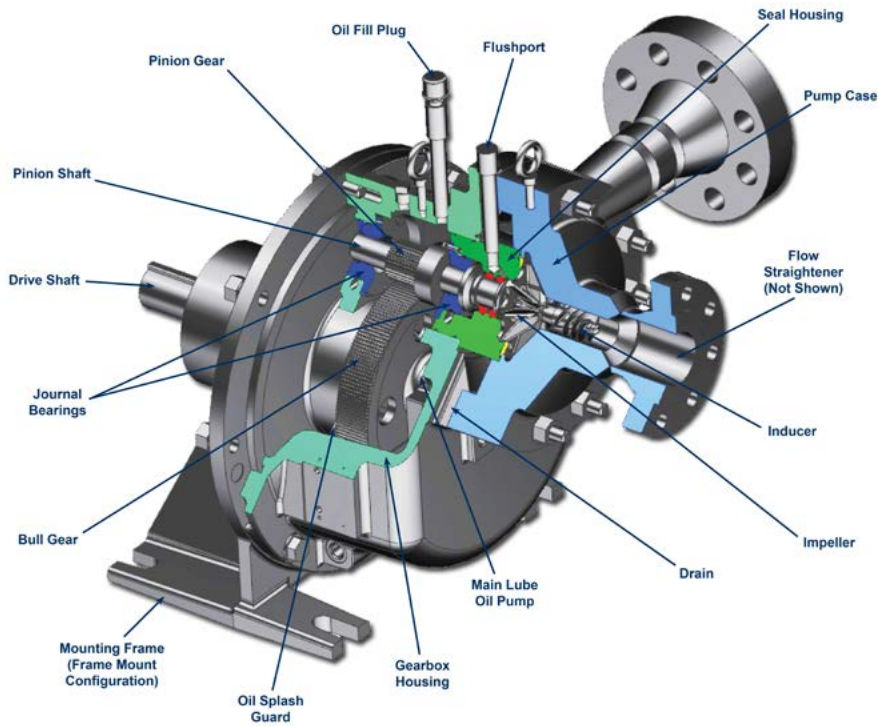
The P-3000 is ideal for high-pressure water applications, including wash water and boiler feeds for powerplants. It is designed to deliver maximized up-time, reduced maintenance costs and optimized productivity over the lifecycle of the unit.

Specifications

| | | | |
|--------------------------------|--|----------------------------|------------------------------------|
| Heads To | 500 to 4,200 ft | 106 to 1,280 m | 60HZ: 152 to 1,280 m |
| Flows To | 50 to 500 gpm | 9 to 91 m ³ /hr | 60HZ: 11 to 114 m ³ /hr |
| Max Power | 250 hp | 186 kW | |
| Temp Range | -50 to 350°F | -46 to 177°C | |
| Number of Stages | 1.0 | | |
| Max Case Working Pressure | 2,160 psi | 152 kg/cm ² | |
| Max Suction Pressure | 350 psi (25 kg/cm ²) | | |
| Standard Delivery | 5 Weeks | | |
| Speed Range | 6,756 to 17,750 rpm-60Hz | | |
| Materials of Construction | 316SS (Duplex SS Optional), Hastelloy, AISI 4140 / 8620 / 9310 Steel, Aluminum or Cast Steel | | |
| Bearing Materials Available | Splash Lubricated, Rolling Element, Pressure Lubricated, Journal Bearings | | |
| Hydrotest Pressure | 2,160 psig | 151 kg/cm ² g | |
| Max Viscosity | 10 cp | | |
| Solids Range | 0.015" (0.381 mm), 400 microns | | |
| Mounting Configurations | Close Coupled, Frame Mounted | | |
| Number of Available Hydraulics | 244.0 | | |
| Seal Configurations Available | Single, Double | | |
| Available Inducer | Yes | | |
| Available Flanges | 600#RF, 900#RF Dishcharge Flange | | |
| Pump Case Corrosion Allowance | Generous Clearances | | |
| Suction and Discharge Size | 3" x 2", 4" x 3" | | |
| Seal Plans for Sunflo Pumps | 11, 13, 21, 23, 31, 32, 41, 53 | | |

APPLICATIONS

- Boiler Feed
- Oil Production
- Pulp and Paper
- Caustic Service
- Petroleum
- Power Generation
- Manufacturing
- High Pressure Wash
- Petrochemical
- Chemical Processing
- Mining
- Reverse Osmosis
- Food and Beverage Production
- Hydrocarbon Processing
- Pollution Control
- NOx Suppression
- General Industrial
- Refining
- Power Systems
- Water Reinjection



INDUSTRIAL GRADE PUMPS

- **MULTISTAGE PERFORMANCE IN A SINGLE STAGE DESIGN** | Best Efficiency Point is the operating point which is maintained over the life of the pump.
- **CLOSE COUPLED** | Eliminates alignment issues and simplifies installation.
- **LOW NPSH_r PERFORMANCE** | Sunflo inducer technology provides for industry leading low NPSH_r.
- **ROBUST BEARING SYSTEM** | Bearing systems are designed to fully handle all hydraulic loading without dependence on problematic thrust balancing devices.
- **316SS CONSTRUCTION** | Provides corrosion free service in a small package reducing initial installation and life-cycle costs.
- **BARSKE OPEN IMPELLER** | Pump impeller design clearances provide thermal stability thus eliminating pre-warming requirements.
- **MAINTENANCE IN PLACE** | No need to remove and send pump out for repairs, quick removal and replacement of cartridge shaft assembly on site under 2 hours.

Visit our website at: www.sundyne.com

Sundyne, LLC 14845 W. 64th Ave. Arvada, CO 80007 USA 1-866-SUNDYNE (US and Canada), Ph: +1 303 425 0800 Fax: +1 303 425 0896
 United Kingdom Marshall Rd Hampden Park Industrial Estate Eastbourne East Sussex, BN22 9AN UK Ph: +44 1323 452000 Fax: +44 1323 503369
 France 13-15, Bld. Eiffel - B.P. 30 21604 Longvic Cedex France Ph: +33 (0)3 80 38 33 00 Fax: +33 (0)3 80 38 33 66
 Spain Ctra. Madrid-Toledo, Km.30.8 45200 Illescas Toledo, Spain Ph: +34 925 53 45 00 Fax: +34 925 51 16 00
 China Building 1, No. 879 Shen Fu Road XinZhuang Industrial Zone Min Hang District Shanghai, China 201108 Phone: +86 21 50555005 Fax: +86 21 54425265
 © 2018 Sundyne, LLC All rights reserved. Logos and trade names are property of their respective owners. Sunflo_P3000_DS_A4_v1.0_051518